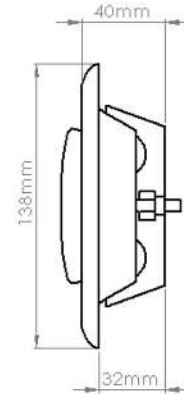
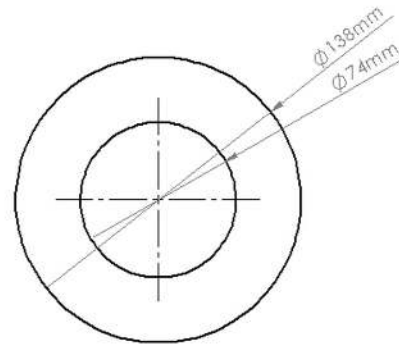




PRODUCT DATA SHEET
DUCMW104FRE
FIRE RATED EXTRACT VALVE



RAL9010



SPECIFICATION DETAILS

The DUCMW104FRE 100mm diameter Round Fire Rated Extract Valve is manufactured from White Epoxy Powder Coated Steel. The valve has a male spigot to fit inside the System 100 duct.

The DUCMW104FRE Extract Air Valve is fully adjustable and has a locking nut to fix the position of the control disc upon commissioning. It is supplied complete with a fixing body with pre-drilled holes for installation.

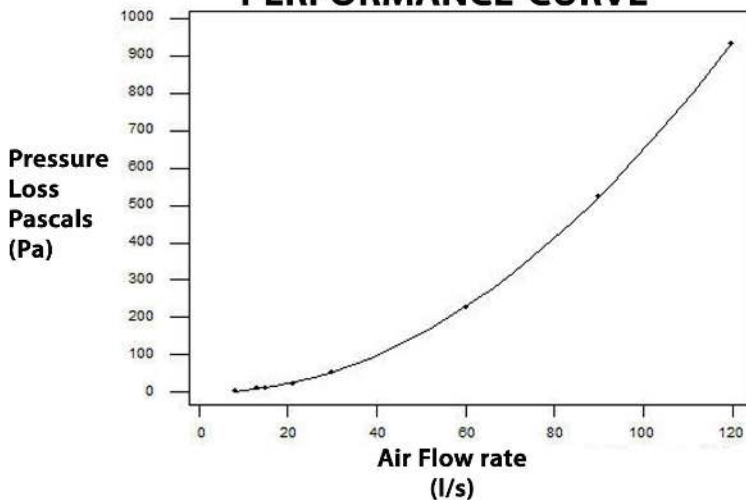
The DUCMW104FRE incorporates an integral intumescent material and has been fire tested to BS EN 1365-2: 1999 with 60 minute rating for ceilings.

DUCMW104FRE has been designed for use with Kair System 100 Round.

Manufacturer:	Kair Ventilation
Part Number:	DUCMW104FRE
Size:	100mm Diameter
For use with:	Kair System 100
Box quantity:	7
Individual Weight:	272g
Colour:	White

FIRE RATING	60 Minutes
--------------------	------------

PERFORMANCE CURVE



*Pressure losses with Control Disk 10mm open

AIRFLOW	RESISTANCE
8 l/s	5.00 pa
13 l/s	10.00 pa
21 l/s	22.80 pa
30 l/s	53.70 pa
60 l/s	228.00 pa
120 l/s	935.00 pa

Associated Ancillaries

