



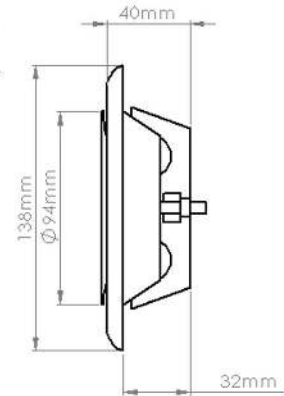
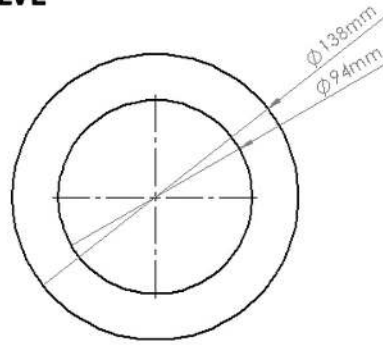
**PRODUCT DATA SHEET**

**DUCMW105**

**WHITE METAL CEILING AIR SUPPLY VALVE**



**W** RAL9010



**SPECIFICATION DETAILS**

The DUCMW105 100mm diameter Round White Metal Ceiling Air Supply Valve is manufactured from White Epoxy Powder Coated Steel and has minimum free area of 2,842mm<sup>2</sup> with Control Disc 10mm open. It has a male spigot for connection inside of the System 100mm duct.

The DUCMW105 supply air valve is fully adjustable and has a locking nut to fix the position of the control disc upon commissioning.

The DUCMW105 is supplied complete with a fixing body with pre-drilled holes for installation.

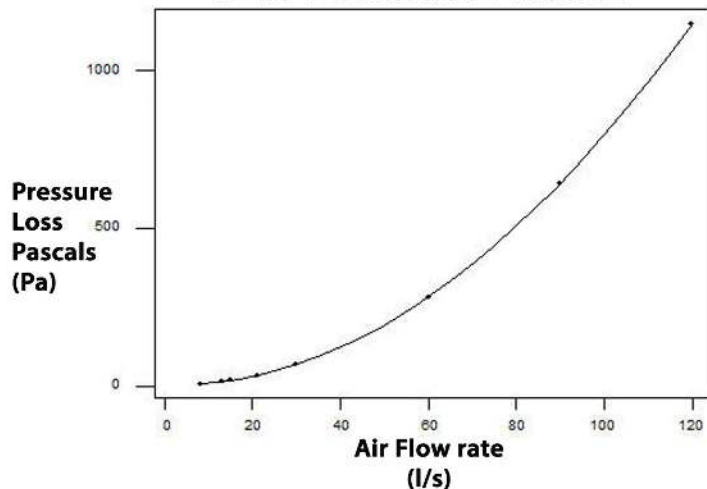
DUCMW105 has been designed for use with Kair System 100 Round.

<b>Manufacturer:</b>	Kair Ventilation
<b>Part Number:</b>	DUCMW105
<b>Size:</b>	100mm Diameter
<b>For use with:</b>	Kair System 100
<b>Box quantity:</b>	7
<b>Individual Weight:</b>	270g
<b>Colour:</b>	White

**MAX/MIN OPERATING TEMPERATURES**

+ 60°C to - 15°C

**PERFORMANCE CURVE**



\*Pressure losses with Control Disc 10mm open

AIRFLOW	RESISTANCE
8 l/s	6.15 pa
13 l/s	12.35 pa
21 l/s	32.50 pa
30 l/s	66.50 pa
60 l/s	280.00 pa
120 l/s	1150.00 pa

**Associated Ancillaries**

