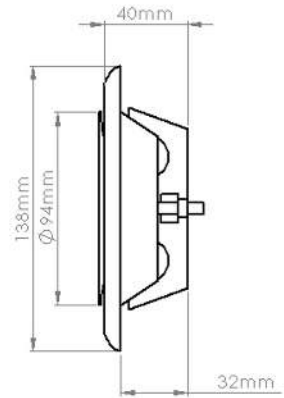
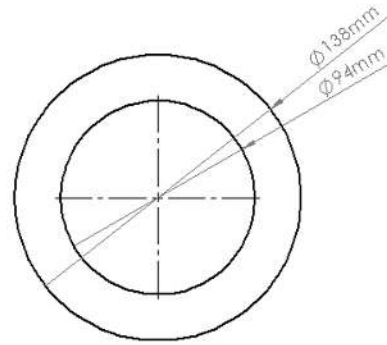




PRODUCT DATA SHEET
DUCMW105FRS
FIRE RATED SUPPLY VALVE



W RAL9010



SPECIFICATION DETAILS

The DUCMW105FRS 100mm diameter Round White Metal Ceiling Air Supply Valve is manufactured from White Epoxy Powder Coated Steel. The valve has a male spigot to fit inside of the System 100 duct.

The DUCMW105FRS supply air valve is fully adjustable and has a locking nut to fix the position of the control disc upon commissioning.

The DUCMW105FRS is supplied complete with a fixing body with pre-drilled holes for installation.

The DUCMW105FRS incorporates an integral intumescent material and has been fire tested to BS EN 1365-2: 1999 with 60 minute rating for ceilings.

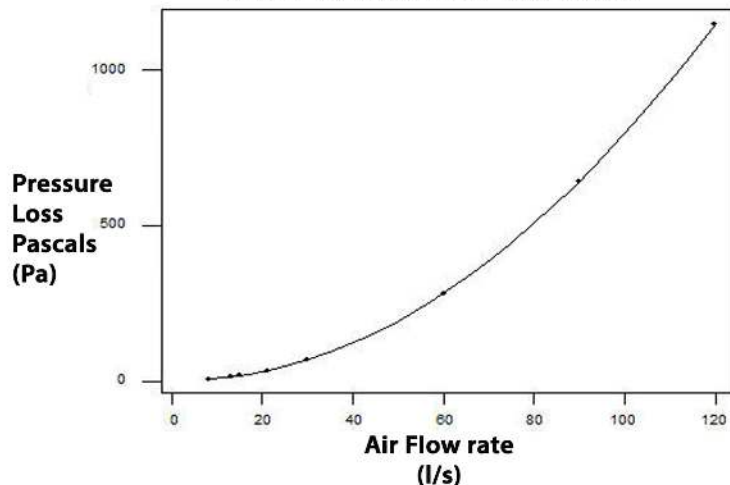
DUCMW105FRS has been designed for use with Kair System 100 Round.

Manufacturer:	Kair Ventilation
Part Number:	DUCMW105FRS
Size:	100mm Diameter
For use with:	Kair System 100
Box quantity:	7
Individual Weight:	272g
Colour:	White

FIRE RATING

60 Minutes

PERFORMANCE CURVE



*Pressure losses with Control Disk 10mm open

Associated Ancillaries

