



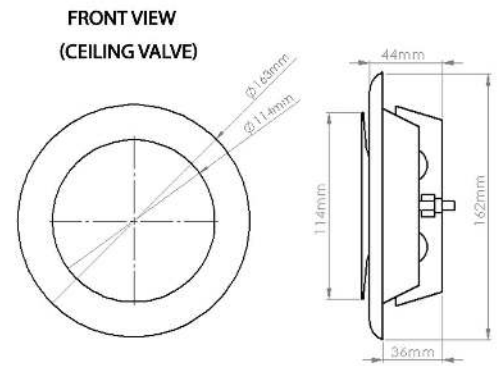
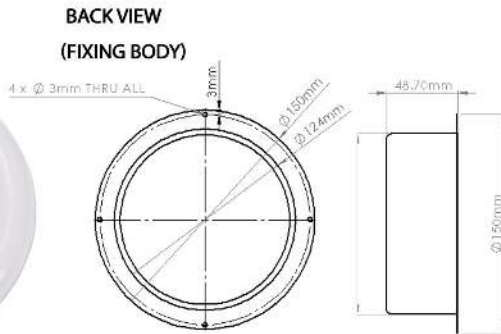
**PRODUCT DATA SHEET**

**DUCMW125**

**WHITE METAL CEILING AIR SUPPLY VALVE**



**W** RAL9010



**SPECIFICATION DETAILS**

The DUCMW125 125mm diameter Round White Metal Ceiling Air Supply Valve is manufactured from White Epoxy Powder Coated Steel and has minimum free area of 2,907mm<sup>2</sup> with Control Disc 10mm open. It has a male spigot for connection inside of the System 125mm duct.

The DUCMW125 supply air valve is fully adjustable and has a locking nut to fix the position of the control disc upon commissioning.

The DUCMW125 is supplied complete with a fixing body with pre-drilled holes for installation.

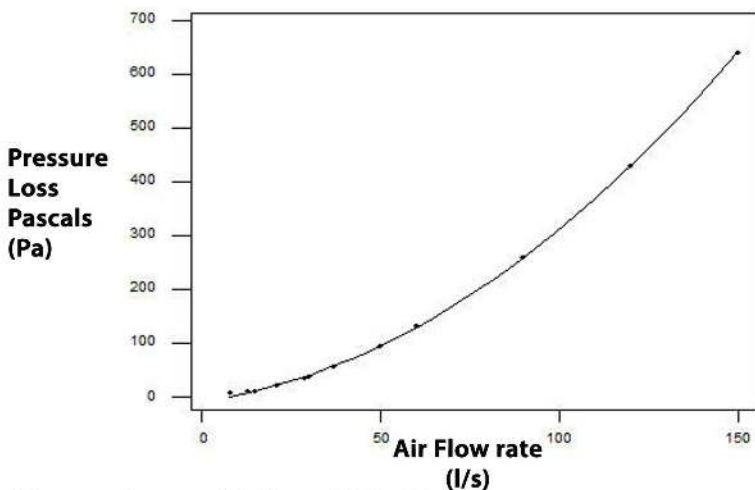
DUCMW125 has been designed for use with Kair System 125 Round.

**MAX/MIN OPERATING TEMPERATURES**

+ 100°C to - 20°C

<b>Manufacturer:</b>	Kair Ventilation
<b>Part Number:</b>	DUCMW125
<b>Size:</b>	125mm Diameter
<b>For use with:</b>	Kair System 125
<b>Box quantity:</b>	7
<b>Individual Weight:</b>	343g
<b>Colour:</b>	White

**PERFORMANCE CURVE**



\*Pressure losses with Control Disc 10mm open

**Associated Ancillaries**

