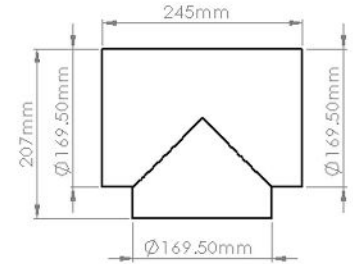
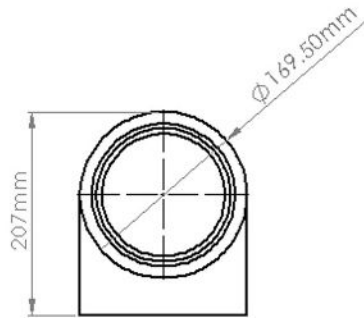




**PRODUCT DATA SHEET**  
**DUCSST-125-TP**  
 SELF-SEAL THERMAL EQUAL T PIECE



**SPECIFICATION DETAILS**

The Kair Self-Seal Thermal DUCSST-125-TP insulated fitting is manufactured from graphite impregnated expanded polystyrene (EPS) with a density of 25kg/m<sup>3</sup> and provides a free area of 12,273 mm<sup>2</sup>. The DUCSST-125-TP is supplied with self-seal female couplings that allow the ducting fitted with a Duct to Fitting Connector to be plugged into the fitting apertures with a push, click and lock mechanism.

The Self-Seal female couplings are manufactured from prime High Impact Polystyrene and a Thermoplastic Elastomer Dynamic Sealing Gasket.

The EPS material is fully tested to meet the thermal conductivity requirements of BASF-EN13163 to assist with the prevention of condensation and is flame retardant to DIN 4102-B1.

Kair Self-Seal Thermal Fittings exceed the current UK Domestic Ventilation Regulation requirements of Part F 2010 Domestic Ventilation Compliance Guide and NHBC Guidance Document Chapter 3.2 and provide a thermal conductivity of 0.03 W/mK which at 20mm thickness gives a thermal resistance or R-value of 0.666 m<sup>2</sup>K/W.

The patent pending push, click and lock mechanism provides a low leakage solution which exceeds the requirements set out in DW/143 Class A leakage test and DW/154 ductwork standards.

The Self-Seal Thermal is compliant with the requirements outlined in the Energy performance characteristics database for use in SAP with MVHR and MEV supply and extract ventilation systems.

<b>MAX/MIN OPERATING TEMPERATURES</b>	+ 60°C to - 15°C
---------------------------------------	------------------

<b>Manufacturer:</b>	Kair Ventilation
<b>Part Number:</b>	DUCSST-125-TP
<b>Size:</b>	125mm Diameter
<b>For use with:</b>	Kair System 125
<b>Box quantity:</b>	6
<b>Individual Weight:</b>	270g
<b>Colour:</b>	Grey
<b>Thermal Resistance:</b>	0.666 m <sup>2</sup> K/W
<b>Thermal Conductivity:</b>	0.03 W/mK



AIRFLOW	RESISTANCE
8 l/s	N/A
13 l/s	N/A
21 l/s	N/A
30 l/s	N/A
60 l/s	N/A
120 l/s	N/A

125mm 2m Thermal Duct  
  
 DUCSST-125-2M

125mm Thermal 45° Elbow Bend  
  
 DUCSST-125-45B

204x60mm Thermal 125mm Elbow Bend  
  
 DUCSST-204-PL

125mm Thermal 90° Elbow Bend  
  
 DUCSST-125-90B

125mm Thermal Condensation Trap  
  
 DUCSST-125-TRAP