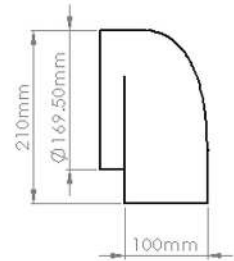
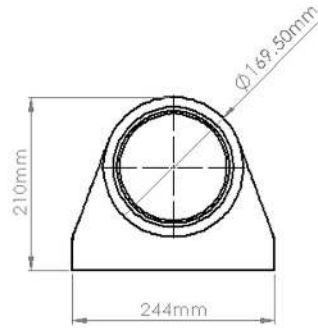




PRODUCT DATA SHEET
DUCSST-204-PL
SELF-SEAL THERMAL PLENUM ELBOW BEND



SPECIFICATION DETAILS

The Kair Self-Seal Thermal DUCSST-204-PL insulated fitting is manufactured from graphite impregnated expanded polystyrene (EPS) with a minimum density of 25kg/m³ and provides a free area of 12,232 mm². The SST-204-PL is supplied with self-seal female couplings that allow the ducting fitted with a Duct to Fitting Connector to be plugged into the fitting apertures with a push, click and lock mechanism.

The Self-Seal female couplings are manufactured from prime High Impact Polystyrene and a Thermoplastic Elastomer Dynamic Sealing Gasket.

The EPS material is fully tested to meet the thermal conductivity requirements of BASF-EN13163 to assist with the prevention of condensation and is flame retardant to DIN 4102-B1.

Kair Self-Seal Thermal Fittings exceed the current UK Domestic Ventilation Regulation requirements of Part F 2010 Domestic Ventilation Compliance Guide and NHBC Guidance Document Chapter 3.2 and provide a thermal conductivity of 0.03 W/mK which at 20mm thickness gives a thermal resistance or R-value of 0.666 m²K/W.

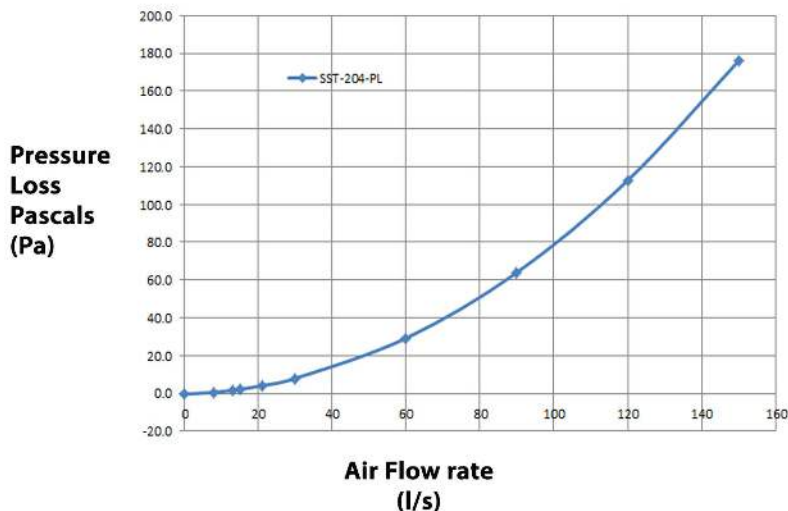
The patent pending push, click and lock mechanism provides a low leakage solution which exceeds the requirements set out in DW/143 Class A leakage test and DW/154 ductwork standards.

The Self-Seal Thermal is compliant with the requirements outlined in the Energy performance characteristics database for use in SAP with MVHR and MEV supply and extract ventilation systems.

MAX/MIN OPERATING TEMPERATURES	+ 60°C to - 15°C
---------------------------------------	-------------------------

Manufacturer:	Kair Ventilation
Part Number:	DUCSST-204-PL
Size:	204mm x 60mm
For use with:	Kair System 204 and 125
Box quantity:	6
Individual Weight:	198g
Colour:	Grey
Thermal Resistance:	0.666 m ² K/W
Thermal Conductivity:	0.03 W/mK

PERFORMANCE CURVE



AIRFLOW	RESISTANCE	
	125mm	204x60mm
8 l/s	0.50 pa	0.50 pa
13 l/s	1.50 pa	1.60 pa
21 l/s	3.90 pa	4.00 pa
30 l/s	7.70 pa	7.90 pa
60 l/s	29.20 pa	29.20 pa
120 l/s	111.80 pa	112.70 pa

204x60mm 1m Thermal Duct

DUCSST-204-1M

204x60mm Thermal Vertical 45° Bend

DUCSST-204-45VB

204x60mm Thermal T Piece

DUCSST-204-TP

204x60mm Thermal Vertical 90° Bend

DUCSST-204-90VB

204x60mm Thermal Horizontal 90° Bend

DUCSST-204-90HB