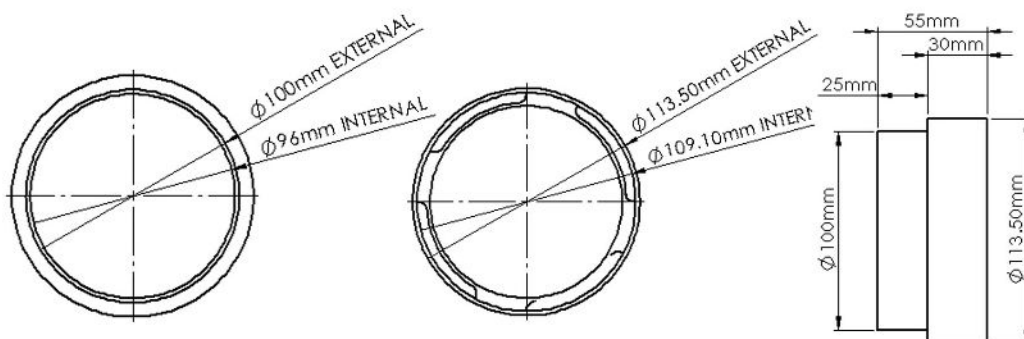




**PRODUCT DATA SHEET**

**DUCVKC10**

**100MM MALE THREADED HOSE CONNECTOR**



**SPECIFICATION DETAILS**

The DUCVKC10 100mm diameter Male Threaded Hose Connector is manufactured from (white) Polypropylene and has a minimum free area of 7,239mm<sup>2</sup>.

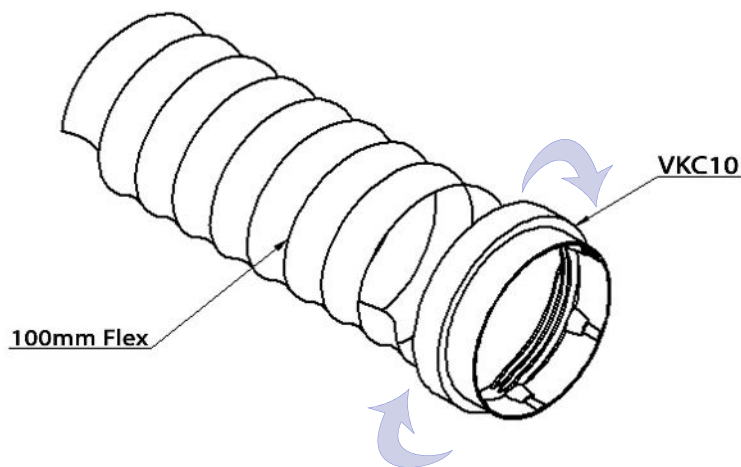
It has a male spigot for connection inside of the System 100 duct.

DUCVKC10 is manufactured in compliance with Domestic Plastic Ductwork Specification DW/154 and does meet UL94HB flammability standard.

DUCVKC10 has been designed for use with Kair System 100 Round.

<b>Manufacturer:</b>	Kair Ventilation
<b>Part Number:</b>	DUCVKC10
<b>Size:</b>	100mm Diameter
<b>For use with:</b>	Kair System 100
<b>Box quantity:</b>	20
<b>Individual Weight:</b>	35g
<b>Colour:</b>	White

<b>MAX/MIN OPERATING TEMPERATURES</b>	+ 60°C to - 15°C
---------------------------------------	------------------



AIRFLOW	RESISTANCE
8 l/s	N/A
13 l/s	N/A
21 l/s	N/A
30 l/s	N/A
60 l/s	N/A
120 l/s	N/A

**Associated Ancillaries**

