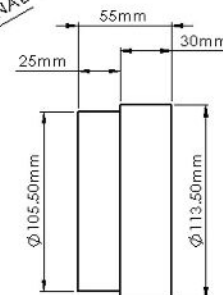
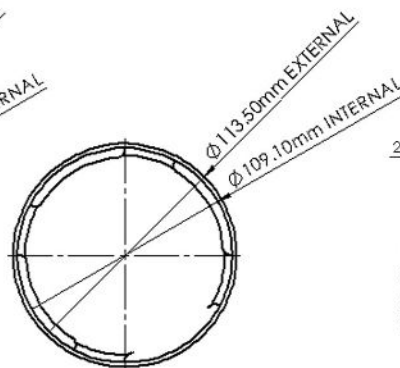
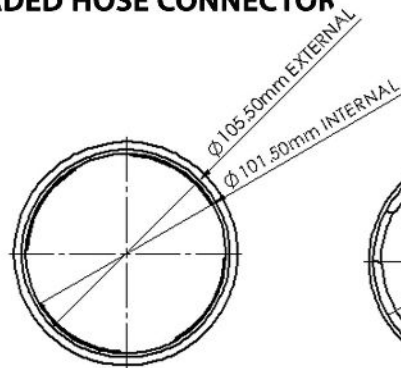




PRODUCT DATA SHEET

DUCVKC11

100MM FEMALE THREADED HOSE CONNECTOR



SPECIFICATION DETAILS

The DUCVKC11 100mm diameter Female Threaded Hose Connector is manufactured from (white) Polypropylene and has a minimum free area of 8,092mm².

It has a female spigot for connection outside of the System 100 duct.

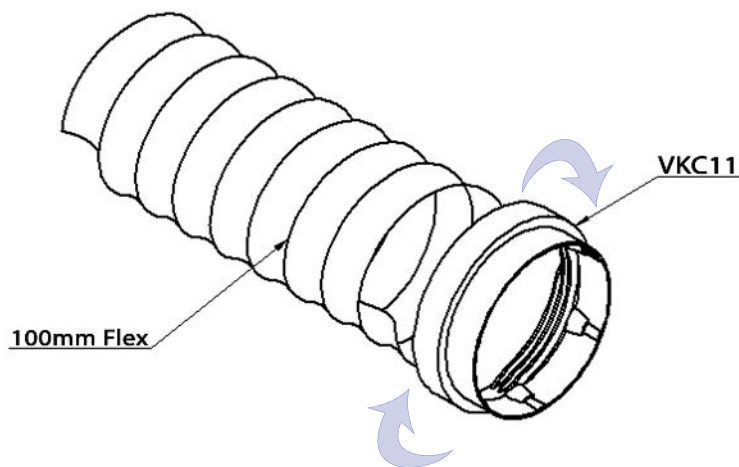
DUCVKC11 is manufactured in compliance with Domestic Plastic Ductwork Specification DW/154 and does meet UL94HB flammability standard.

DUCVKC11 has been designed for use with Kair System 100 Round.

Manufacturer:	Kair Ventilation
Part Number:	DUCVKC11
Size:	100mm Diameter
For use with:	Kair System 100
Box quantity:	30
Individual Weight:	35g
Colour:	White

MAX/MIN OPERATING TEMPERATURES

+ 60°C to - 15°C



AIRFLOW	RESISTANCE
8 l/s	N/A
13 l/s	N/A
21 l/s	N/A
30 l/s	N/A
60 l/s	N/A
120 l/s	N/A

Associated Ancillaries

