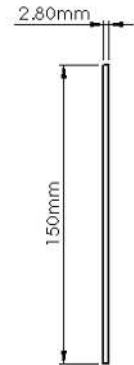
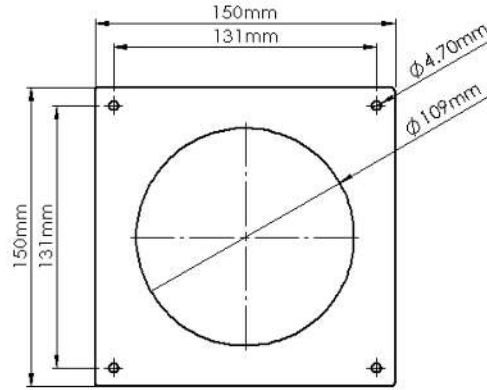




PRODUCT DATA SHEET

DUCVKC19
ROUND WALL PLATE



SPECIFICATION DETAILS

The DUCVKC19 Wall Plate is manufactured from (white) Polypropylene. The Wall Plate is designed for use where existing ducting connections or fans have been installed in a wall and a decorative cover or new fixing method is needed.

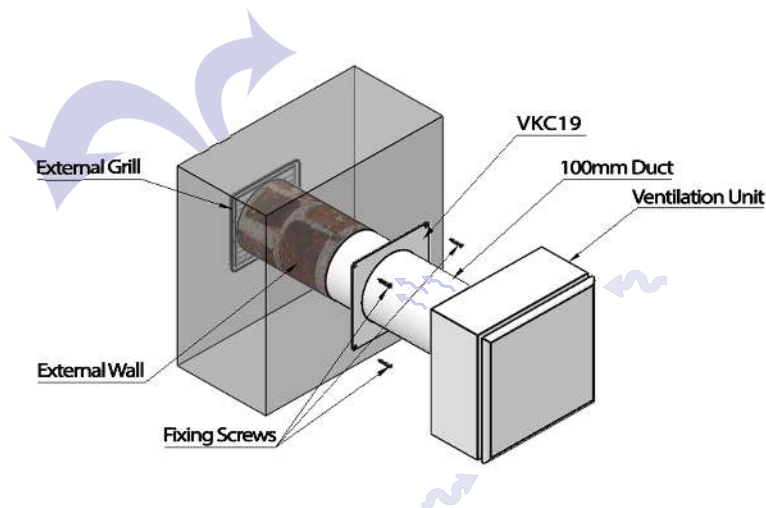
The DUCVKC19 Wall Plate comes with four 5mm screw holes to assist with fixing. DUCVKC19 is manufactured in compliance with the Domestic Plastic Ductwork Specification DW/154 and does meet UL94HB flammability standard.

DUCVKC19 has been designed for use with Kair System 100 Round.

MAX/MIN OPERATING TEMPERATURES

+ 60°C to - 15°C

Manufacturer:	Kair Ventilation
Part Number:	DUCVKC19
Size:	100mm Diameter
For use with:	Kair System 100
Box quantity:	50
Individual Weight:	40g
Colour:	White



AIRFLOW	RESISTANCE
8 l/s	N/A
13 l/s	N/A
21 l/s	N/A
30 l/s	N/A
60 l/s	N/A
120 l/s	N/A

Associated Ancillaries

