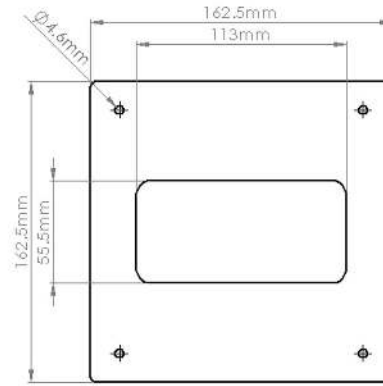




PRODUCT DATA SHEET

DUCVKC206

RECTANGULAR WALL PLATE



SPECIFICATION DETAILS

The DUCVKC206 110x54mm Rectangular Wall Plate is manufactured from (white) High Impact Polystyrene. The 110x54mm rectangular section has a minimum free area of 5,424mm².

DUCVKC206 is manufactured in compliance with Domestic Plastic Ductwork Specification DW/154 and does meet UL94HB flammability standard.

DUCVKC206 has been designed for use with Kair System 110.

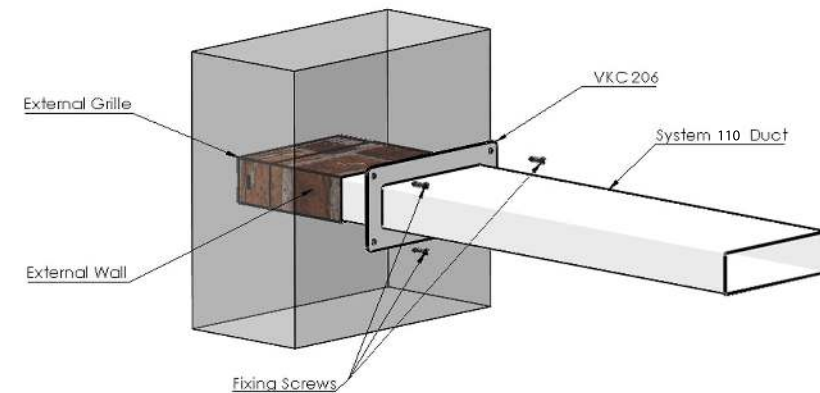
Manufacturer:	Kair Ventilation
Part Number:	DUCVKC206
Size:	110mm x 54mm
For use with:	Kair System 110
Box quantity:	10
Individual Weight:	60g
Colour:	White

MAX/MIN OPERATING TEMPERATURES

+ 60°C to - 15°C

AIRFLOW

RESISTANCE



8 l/s	N/A
13 l/s	N/A
21 l/s	N/A
30 l/s	N/A
60 l/s	N/A
120 l/s	N/A

