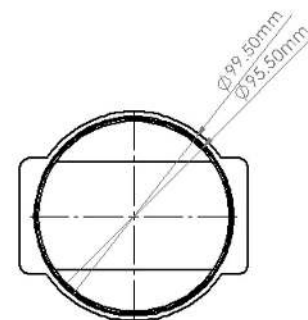
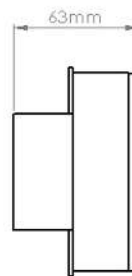
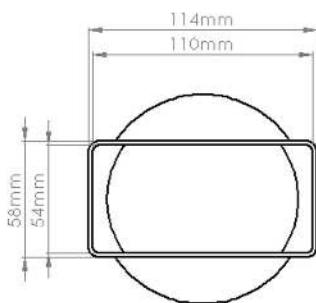




**PRODUCT DATA SHEET**

**DUCVKC207**

**SHORT MALE ROUND TO RECTANGULAR ADAPTOR**



**SPECIFICATION DETAILS**

The DUCVKC207 110x54mm Short Male Round to Rectangular Adaptor with 100mm diameter Spigot is manufactured from (white) High Impact Polystyrene. The 110x54mm rectangular end has a minimum free area of 5,424mm<sup>2</sup> with a female adaptor for connection outside of the System 110 duct. The 100mm diameter round end has a minimum free area of 7,283mm<sup>2</sup> with a male spigot for connection inside of the System 100 duct.

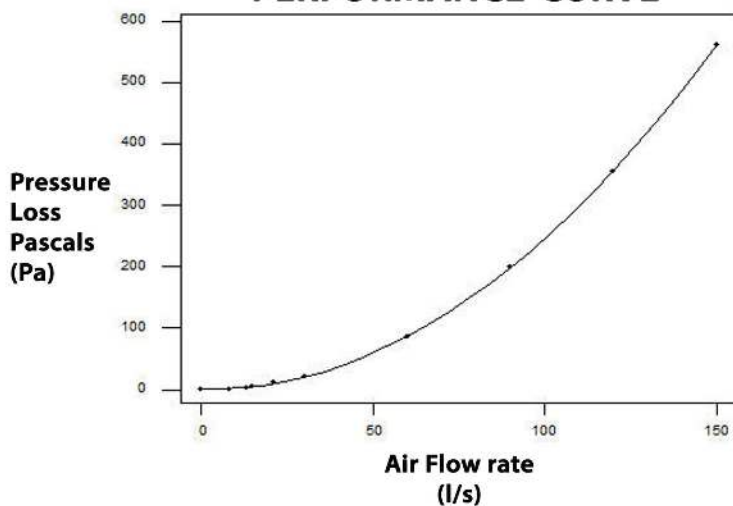
DUCVKC207 is manufactured in compliance with Domestic Plastic Ductwork Specification DW/154 and does meet UL94HB flammability standard.

DUCVKC207 has been designed for use with Kair System 110.

<b>Manufacturer:</b>	Kair Ventilation
<b>Part Number:</b>	DUCVKC207
<b>Size:</b>	110mm x 54mm
<b>For use with:</b>	Kair System 110
<b>Box quantity:</b>	20
<b>Individual Weight:</b>	40g
<b>Colour:</b>	White

<b>MAX/MIN OPERATING TEMPERATURES</b>	+ 60°C to - 15°C
---------------------------------------	------------------

**PERFORMANCE CURVE**



AIRFLOW	RESISTANCE
8 l/s	0.50 pa
13 l/s	3.60 pa
21 l/s	11.00 pa
30 l/s	20.40 pa
60 l/s	86.20 pa
120 l/s	356.00 pa

