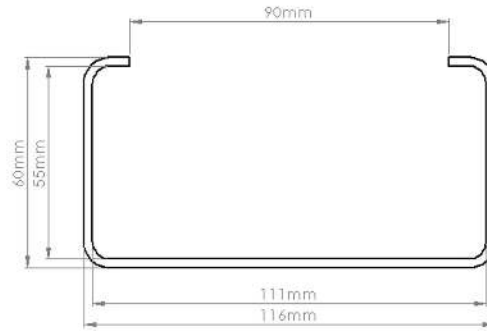




PRODUCT DATA SHEET

DUCVKC230

FLAT CHANNEL CLIP



SPECIFICATION DETAILS

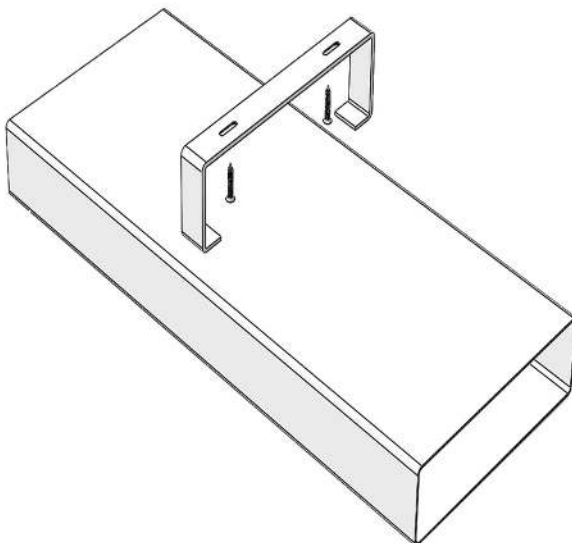
The DUCVKC230 110x54mm Rectangular Flat Channel Clip is manufactured from (white) Polystyrene. It is secured to the floor slab/joist using the pre-determined screw fixing positions. The duct is then clipped into the DUCVKC230. Rigid Duct must be adequately supported and it is recommended at least every metre or either side of a connector.

DUCVKC230 is manufactured in compliance with Domestic Plastic Ductwork Specification DW/154 and does meet UL94HB flammability standard.

DUCVKC230 has been designed for use with Kair System 110 Rectangular.

Manufacturer:	Kair Ventilation
Part Number:	DUCVKC230
Size:	110mm x 54mm
For use with:	Kair System 110
Box quantity:	200
Individual Weight:	10g
Colour:	White

MAX/MIN OPERATING TEMPERATURES	+ 60°C to - 15°C
---------------------------------------	------------------



AIRFLOW	RESISTANCE
8 l/s	N/A
13 l/s	N/A
21 l/s	N/A
30 l/s	N/A
60 l/s	N/A
120 l/s	N/A

