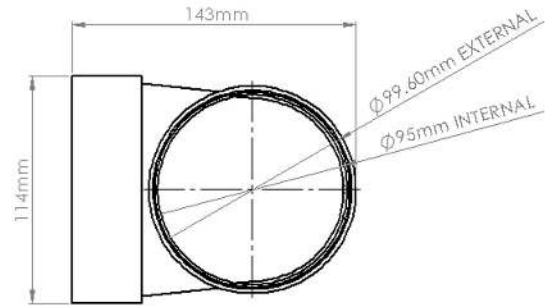
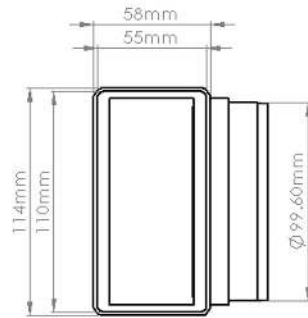




PRODUCT DATA SHEET

DUCVKC237

RECTANGULAR MALE 90° ELBOW BEND



SPECIFICATION DETAILS

The DUCVKC237 110x54mm Rectangular Male Elbow Bend with 100mm diameter spigot is manufactured from (white) Polypropylene. The 110x54mm rectangular end has a minimum free area of 5,424mm² with a female adaptor for connection outside of the System 110 duct. The 100mm diameter round end has a minimum free area of 7,283mm² with a male spigot for connection inside of the System 100 duct.

DUCVKC237 is manufactured in compliance with Domestic Plastic Ductwork Specification DW/154 and does meet UL94HB flammability standard.

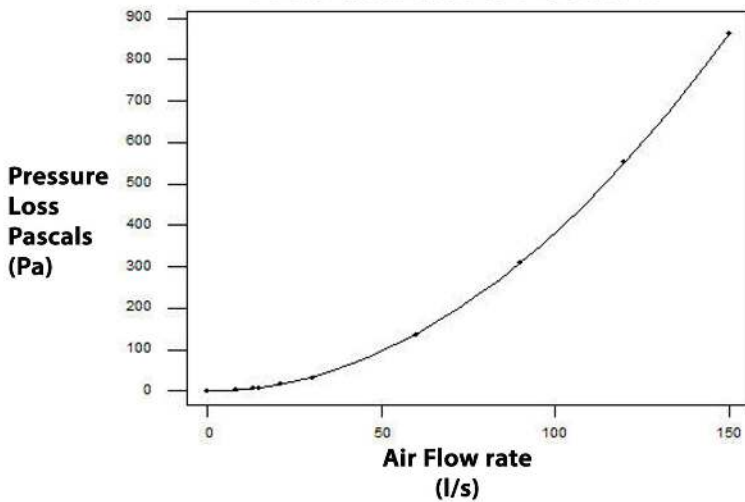
DUCVKC237 has been designed for use with Kair System 110.

MAX/MIN OPERATING TEMPERATURES

+ 60°C to - 15°C

Manufacturer:	Kair Ventilation
Part Number:	DUCVKC237
Size:	110mm x 54mm
For use with:	Kair System 110
Box quantity:	15
Individual Weight:	100g
Colour:	White

PERFORMANCE CURVE



AIRFLOW	RESISTANCE
8 l/s	3.00 pa
13 l/s	6.50 pa
21 l/s	19.00 pa
30 l/s	32.20 pa
60 l/s	136.40 pa
120 l/s	554.00 pa

