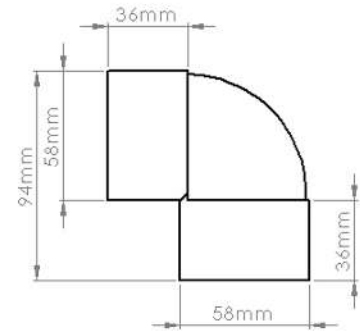
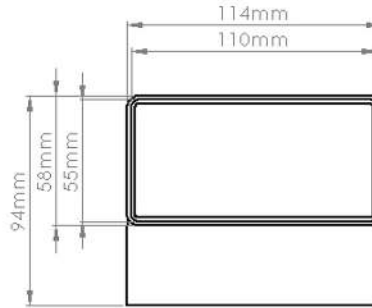




PRODUCT DATA SHEET

DUCVKC239

VERTICAL 90° BEND



SPECIFICATION DETAILS

The DUCVKC239 110x54mm Rectangular Vertical 90° Bend is manufactured from (white) Polypropylene and has a minimum free area of 5,424mm². It has a female adaptor for connection outside of the System 110 duct.

DUCVKC239 is manufactured in compliance with Domestic Plastic Ductwork Specification DW/154 and does meet UL94HB flammability standard.

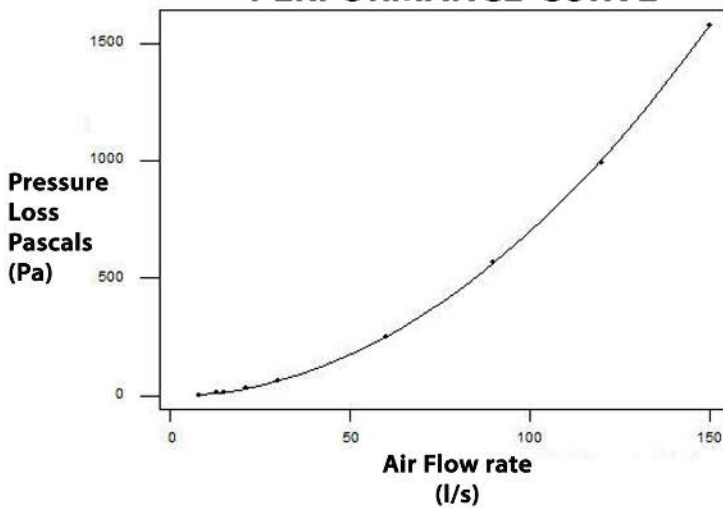
DUCVKC239 has been designed for use with Kair System 110.

Manufacturer:	Kair Ventilation
Part Number:	DUCVKC239
Size:	110mm x 54mm
For use with:	Kair System 110
Box quantity:	20
Individual Weight:	90g
Colour:	White

MAX/MIN OPERATING TEMPERATURES

+ 60°C to - 15°C

PERFORMANCE CURVE



AIRFLOW	RESISTANCE
8 l/s	3.20 pa
13 l/s	13.50 pa
21 l/s	35.00 pa
30 l/s	62.80 pa
60 l/s	252.70 pa
120 l/s	996.00 pa

