



**PRODUCT DATA SHEET**

**DUCVKC243**

**GRAVITY OUTLET ROUND SPIGOT**



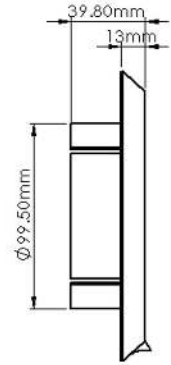
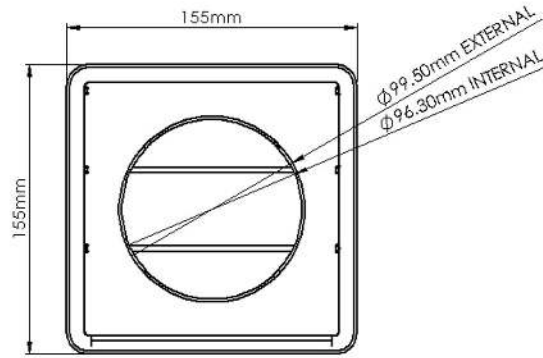
**W** RAL9003

**B** RAL8017

**BE** RAL1001

**T** RAL2001

**BL** RAL9011



**SPECIFICATION DETAILS**

The DUCVKC243 100mm diameter Gravity Grille Round Spigot is manufactured from Polypropylene and has a minimum free area of 7,283mm<sup>2</sup>. It has a male spigot for connection inside of the System 100 duct.

The DUCVKC243 is supplied complete with 3 anti-backdraught shutters which will open during fan operation and close when the fan is switched off. DUCVKC243 will prevent external airflow or wind pressure from traveling up the duct and into the property.

DUCVKC243 is manufactured in compliance with Domestic Plastic Ductwork Specification DW/154 and does meet UL94HB flammability standard.

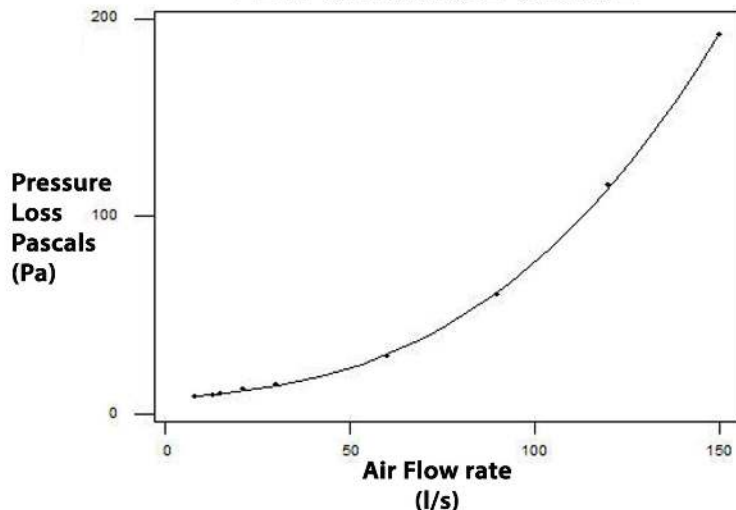
DUCVKC243 has been designed for use with Kair System 100 Round.

<b>Manufacturer:</b>	Kair Ventilation
<b>Part Number:</b>	DUCVKC243
<b>Size:</b>	100mm Diameter
<b>For use with:</b>	Kair System 100
<b>Box quantity:</b>	20
<b>Individual Weight:</b>	80g
<b>Colour:</b>	White, Brown, Beige & Terracotta

**MAX/MIN OPERATING TEMPERATURES**

+ 60°C to - 15°C

**PERFORMANCE CURVE**



AIRFLOW	RESISTANCE
8 l/s	9.00 pa
13 l/s	10.00 pa
21 l/s	13.00 pa
30 l/s	15.00 pa
60 l/s	30.00 pa
120 l/s	116.10 pa

**Associated Ancillaries**

