



PRODUCT DATA SHEET

DUCVKC244

LOUVRED GRILLE ROUND SPIGOT



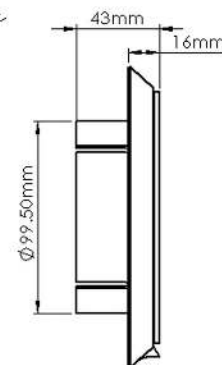
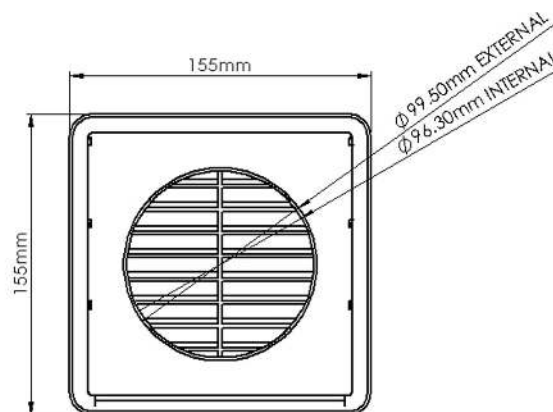
W RAL9003

B RAL8017

BE RAL1001

T RAL2001

BL RAL9011



SPECIFICATION DETAILS

The DUCVKC244 100mm diameter Louvred Grille Round Spigot is manufactured from Polypropylene and has a minimum free area of 7,283mm². It has a male spigot for connection inside of the System 100 duct.

The DUCVKC244 Louvres are designed to prevent water ingress and where possible deflect low levels of wind pressure against the fan. The Louvres should be installed pointing downwards.

DUCVKC244 is manufactured in compliance with Domestic Plastic Ductwork Specification DW/154 and does meet UL94HB flammability standard.

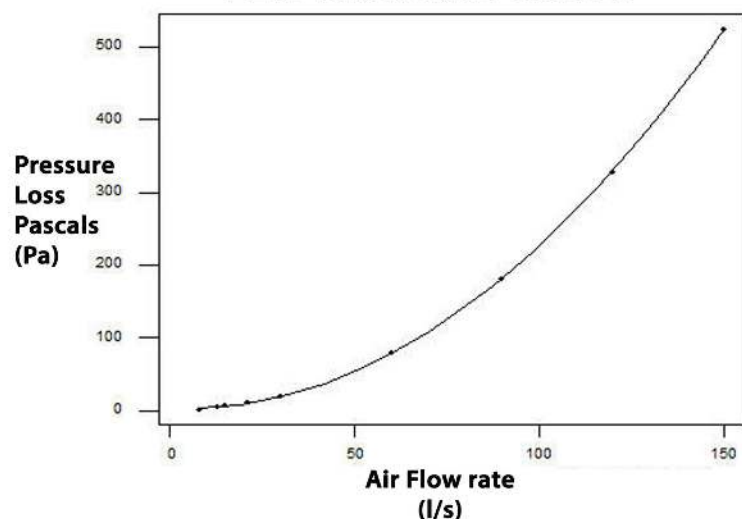
DUCVKC244 has been designed for use with Kair System 100 Round.

Manufacturer:	Kair Ventilation
Part Number:	DUCVKC244
Size:	100mm Diameter
For use with:	Kair System 100
Box quantity:	20
Individual Weight:	100g
Colour:	White, Brown, Beige & Terracotta

MAX/MIN OPERATING TEMPERATURES

+ 60°C to - 15°C

PERFORMANCE CURVE



AIRFLOW	RESISTANCE
8 l/s	0.80 pa
13 l/s	5.00 pa
21 l/s	10.00 pa
30 l/s	19.80 pa
60 l/s	79.10 pa
120 l/s	328.00 pa

Associated Ancillaries

