



PRODUCT DATA SHEET

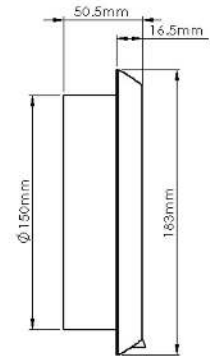
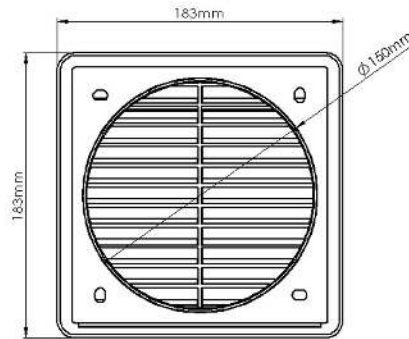
DUCVKC275

LOUVRED GRILLE ROUND SPIGOT



AVAILABLE COLOURS

- W** RAL9003
- B** RAL8017
- BE** RAL1001
- T** RAL2001
- BL** RAL9011



SPECIFICATION DETAILS

The DUCVKC275 150mm diameter Louvred Grille Round Spigot is manufactured from High Impact Polypropylene and has a minimum free area of 1,440mm². It has a male spigot for connection inside of the System 150 duct.

The DUCVKC275 Louvres are designed to prevent water ingress and where possible deflect low levels of wind pressure against the fan. The Louvres should be installed pointing downwards.

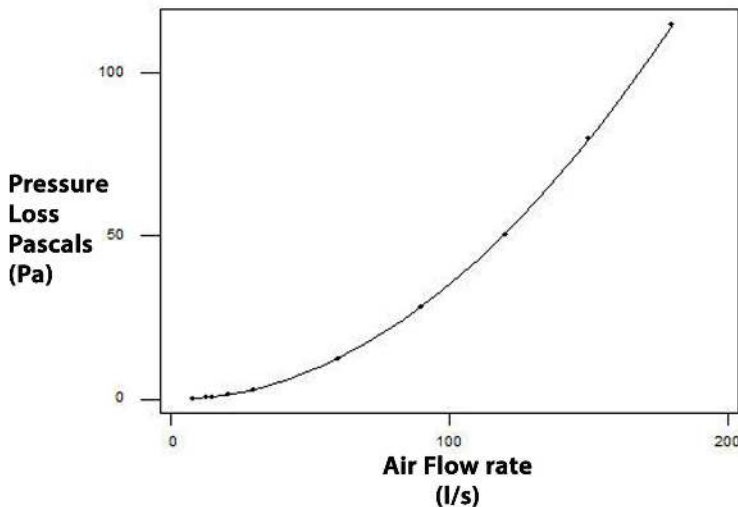
DUCVKC275 is manufactured in compliance with Domestic Plastic Ductwork Specification DW/154 and does meet UL94HB flammability standard.

DUCVKC275 has been designed for use with Kair System 150 Round.

Manufacturer:	Kair Ventilation
Part Number:	DUCVKC275
Size:	150mm Diameter
For use with:	Kair System 150
Box quantity:	10
Individual Weight:	171g
Colour:	White, Brown, Beige & Terracotta

MAX/MIN OPERATING TEMPERATURES	+ 60°C to - 15°C
---------------------------------------	------------------

PERFORMANCE CURVE



AIRFLOW	RESISTANCE
8 l/s	0.11 pa
13 l/s	0.55 pa
21 l/s	1.65 pa
30 l/s	3.30 pa
60 l/s	13.56 pa
120 l/s	55.82 pa

Associated Ancillaries

