



PRODUCT DATA SHEET

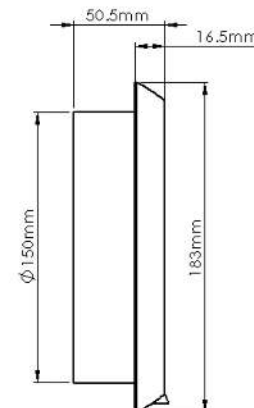
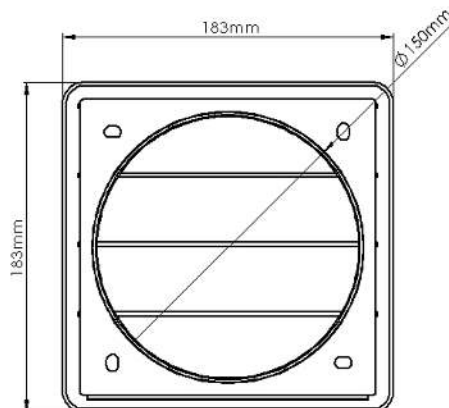
DUCVKC292

GRAVITY OUTLET ROUND SPIGOT



AVAILABLE COLOURS

- W** RAL9003
- B** RAL8017
- BE** RAL1001
- T** RAL2001
- BL** RAL9011



SPECIFICATION DETAILS

The DUCVKC292 150mm diameter Gravity Outlet Round Spigot is manufactured from High Impact Polypropylene and has a minimum free area of 16,000mm² and has a male fitting for connection inside of the duct.

The DUCVKC292 shall be supplied complete with 3 anti-backdraught shutters which will open during fan operation and close when the fan is switched off. DUCVKC292 will prevent airflow or wind pressure from external traveling up the duct and into the property.

DUCVKC292 is manufactured in compliance with Domestic Plastic Ductwork Specification DW/154 and should meet UL94HB flammability standard.

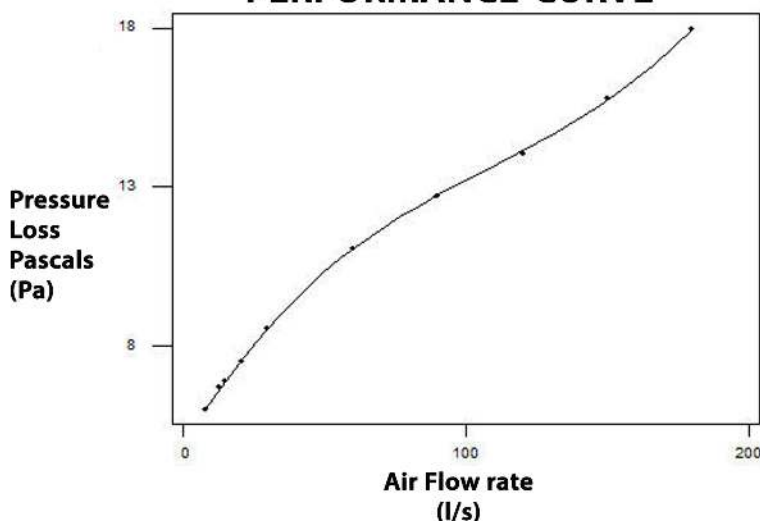
DUCVKC292 has been designed for use with Kair System 150mm Round.

MAX/MIN OPERATING TEMPERATURES

+ 60°C to - 15°C

| | |
|---------------------------|----------------------------------|
| Manufacturer: | Kair Ventilation |
| Part Number: | DUCVKC292 |
| Size: | 150mm Diameter |
| For use with: | Kair System 150 |
| Box quantity: | 10 |
| Individual Weight: | 130g |
| Colour: | White, Brown, Beige & Terracotta |

PERFORMANCE CURVE



| AIRFLOW | RESISTANCE |
|----------------|-------------------|
| 8 l/s | 6.00 pa |
| 13 l/s | 6.70 pa |
| 21 l/s | 7.50 pa |
| 30 l/s | 8.56 pa |
| 60 l/s | 11.10 pa |
| 120 l/s | 14.07 pa |

Associated Ancillaries

