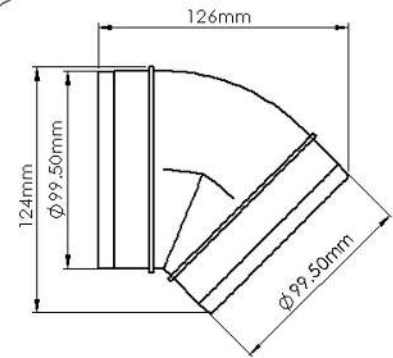
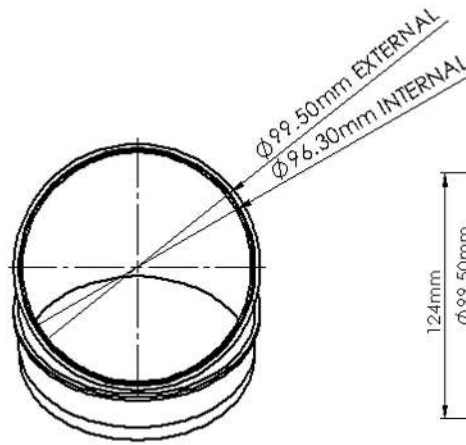




PRODUCT DATA SHEET

DUCVKC301

ROUND ELBOW 45° BEND



SPECIFICATION DETAILS

The DUCVKC301 100mm diameter 45° bend is manufactured from (white) High Impact Polystyrene and has minimum free area of 7,283mm². It has a male spigot for connection inside of the System 100 duct.

DUCVKC301 is manufactured in compliance with Domestic Plastic Ductwork Specification DW/154 and does meet UL94HB flammability standard.

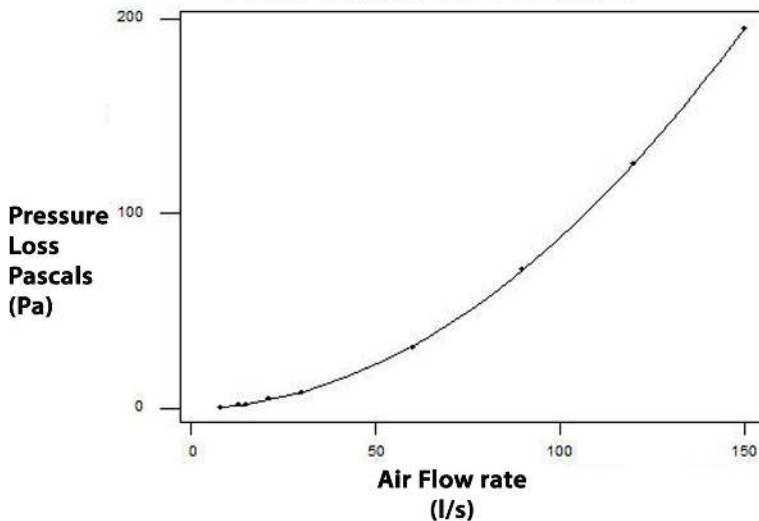
DUCVKC301 has been designed for use with Kair System 100 Round.

Manufacturer:	Kair Ventilation
Part Number:	DUCVKC301
Size:	100mm Diameter
For use with:	Kair System 100
Box quantity:	10
Individual Weight:	60g
Colour:	White

MAX/MIN OPERATING TEMPERATURES

+ 60°C to - 15°C

PERFORMANCE CURVE



AIRFLOW	RESISTANCE
8 l/s	0.20 pa
13 l/s	1.70 pa
21 l/s	4.80 pa
30 l/s	8.20 pa
60 l/s	31.40 pa
120 l/s	125.60 pa

Associated Ancillaries

