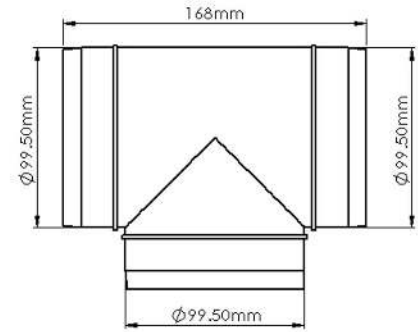
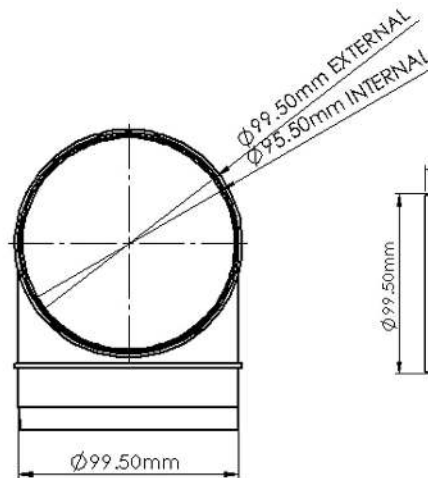




PRODUCT DATA SHEET

DUCVKC302

ROUND EQUAL T PIECE



SPECIFICATION DETAILS

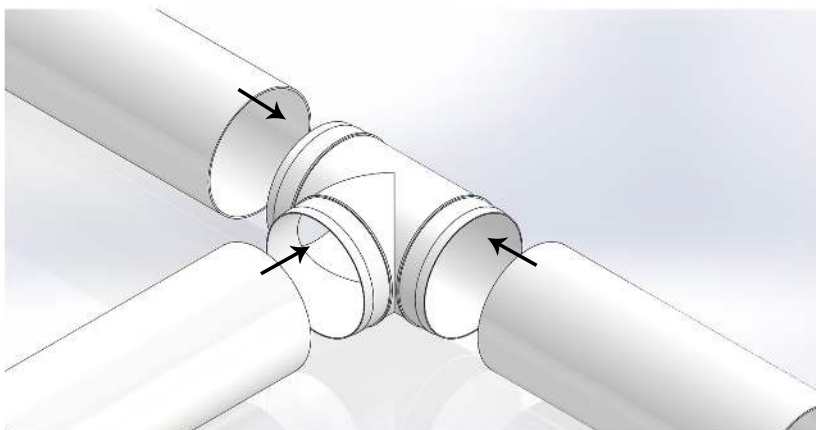
The DUCVKC302 100mm diameter Equal T Piece is manufactured from (white) High Impact Polystyrene and has a minimum free area of 7,283mm². It has a male spigot for connection inside of the System 100 duct.

DUCVKC302 is manufactured in compliance with Domestic Plastic Ductwork Specification DW/154 and does meet UL94HB flammability standard.

DUCVKC302 has been designed for use with Kair System 100 Round.

| | |
|---------------------------|------------------|
| Manufacturer: | Kair Ventilation |
| Part Number: | DUCVKC302 |
| Size: | 100mm Diameter |
| For use with: | Kair System 100 |
| Box quantity: | 6 |
| Individual Weight: | 120g |
| Colour: | White |

| | |
|---------------------------------------|------------------|
| MAX/MIN OPERATING TEMPERATURES | + 60°C to - 15°C |
|---------------------------------------|------------------|



| AIRFLOW | RESISTANCE |
|---------|------------|
| 8 l/s | N/A |
| 13 l/s | N/A |
| 21 l/s | N/A |
| 30 l/s | N/A |
| 60 l/s | N/A |
| 120 l/s | N/A |

Associated Ancillaries

