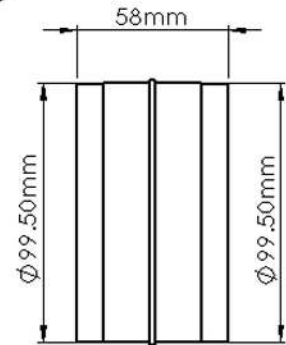
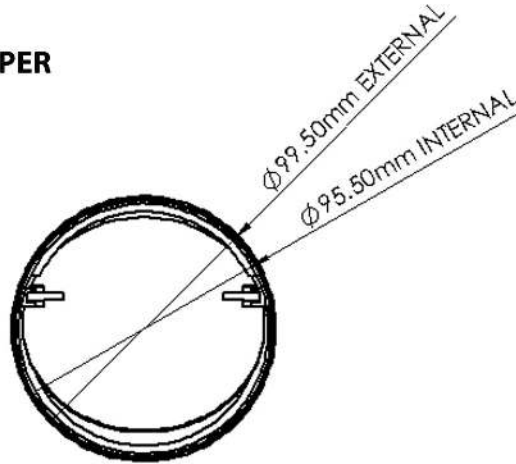




PRODUCT DATA SHEET

DUCVKC303

ROUND CONNECTOR WITH DAMPER



SPECIFICATION DETAILS

The DUCVKC303 10mm diameter Round Connector With Damper is manufactured from (white) High Impact Polystyrene and has a minimum free area of 7,283mm². It has a male spigot for connection inside of the System 100 duct.

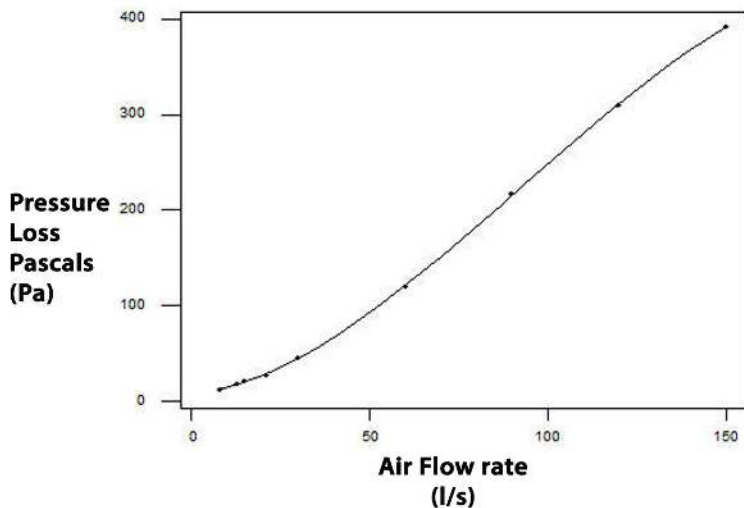
DUCVKC303 is manufactured in compliance with Domestic Plastic Ductwork Specification DW/154 and does meet UL94HB flammability standard.

DUCVKC303 has been designed for use with Kair System 100 Round.

Manufacturer:	Kair Ventilation
Part Number:	DUCVKC303
Size:	100mm Diameter
For use with:	Kair System 100
Box quantity:	30
Individual Weight:	38g
Colour:	White

MAX/MIN OPERATING TEMPERATURES	+ 60°C to - 15°C
---------------------------------------	------------------

PERFORMANCE CURVE



AIRFLOW	RESISTANCE
8 l/s	12.00 pa
13 l/s	18.00 pa
21 l/s	28.00 pa
30 l/s	44.90 pa
60 l/s	120.00 pa
120 l/s	310.00 pa

Associated Ancillaries

