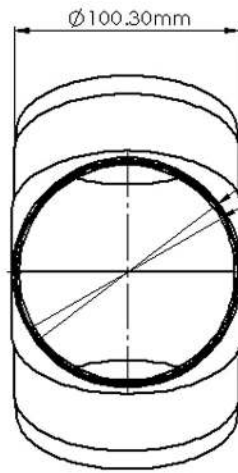




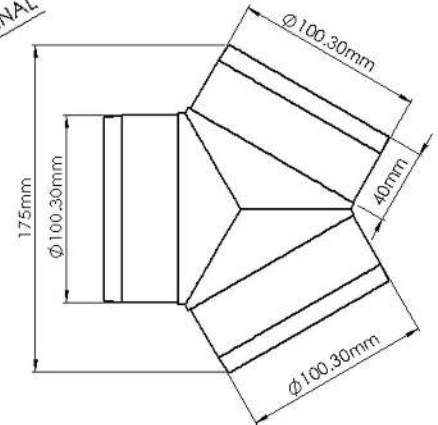
PRODUCT DATA SHEET

DUCVKC3400

ROUND Y PIECE



Ø 100.30mm EXTERNAL
Ø 96.30mm INTERNAL



SPECIFICATION DETAILS

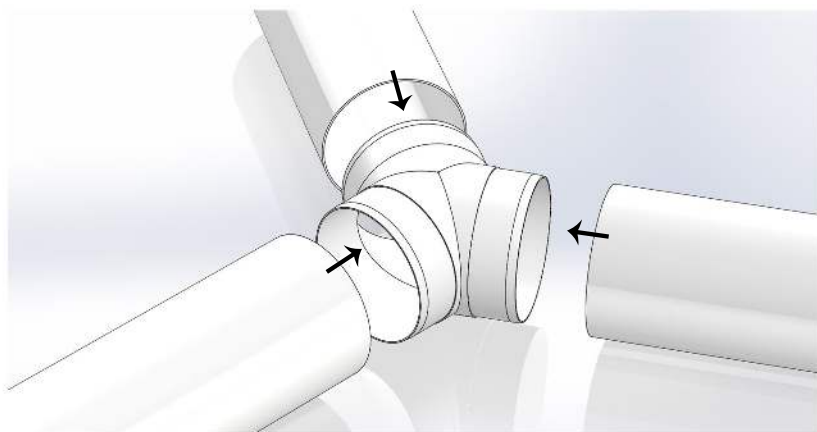
The DUCVKC3400 100mm diameter Round Y Piece is manufactured from (white) High Impact Polystyrene and has a minimum free area of 7,283mm². It has a male spigot for connection inside of the System 100 duct.

DUCVKC3400 is manufactured in compliance with Domestic Plastic Ductwork Specification DW/154 and does meet UL94HB flammability standard.

DUCVKC3400 has been designed for use with Kair System 100 Round.

Manufacturer:	Kair Ventilation
Part Number:	DUCVKC3400
Size:	100mm Diameter
For use with:	Kair System 100
Box quantity:	43
Individual Weight:	120g
Colour:	White

MAX/MIN OPERATING TEMPERATURES	+ 60°C to - 15°C
---------------------------------------	------------------



AIRFLOW	RESISTANCE
8 l/s	N/A
13 l/s	N/A
21 l/s	N/A
30 l/s	N/A
60 l/s	N/A
120 l/s	N/A

Associated Ancillaries

