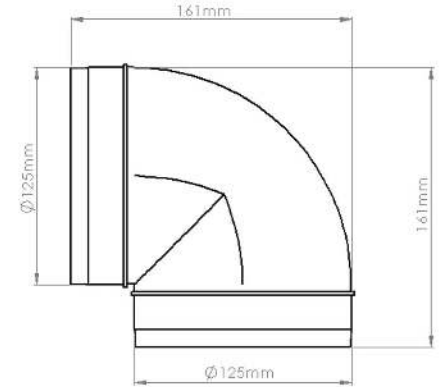
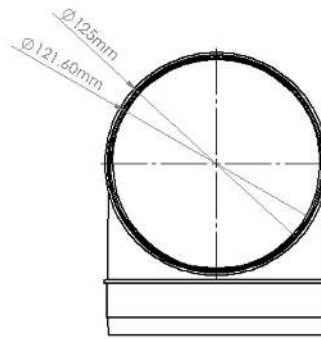




PRODUCT DATA SHEET

DUCVKC350

ROUND ELBOW 90° BEND



SPECIFICATION DETAILS

The DUCVKC350 125mm diameter 90° bend is manufactured from (white) High Impact Polystyrene and has a minimum free area of 11,613mm². It has a male spigot for connection inside of the System 125 duct.

The DUCVKC350 is fully compliant with SAP Appendix Q Product Characteristics Database recommendations for duct sizes used with both extract and Mechanical Heat Recovery Systems.

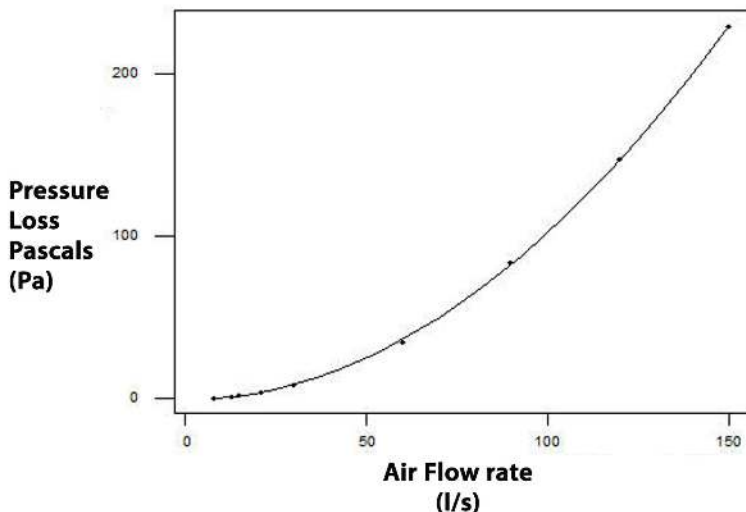
DUCVKC350 is manufactured in compliance with Domestic Plastic Ductwork specification DW/154 and does meet UL94HB flammability standard.

DUCVKC350 has been designed for use with Kair System 125 Round.

Manufacturer:	Kair Ventilation
Part Number:	DUCVKC350
Size:	125mm Diameter
For use with:	Kair System 125
Box quantity:	20
Individual Weight:	140g
Colour:	White

MAX/MIN OPERATING TEMPERATURES	+ 60°C to - 15°C
---------------------------------------	------------------

PERFORMANCE CURVE



AIRFLOW	RESISTANCE
8 l/s	0.50 pa
13 l/s	1.40 pa
21 l/s	4.00 pa
30 l/s	8.40 pa
60 l/s	34.90 pa
120 l/s	148.00 pa

Associated Ancillaries

