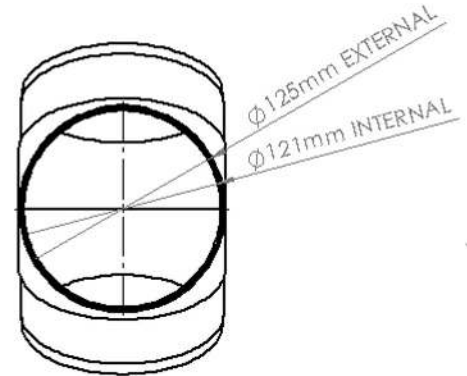
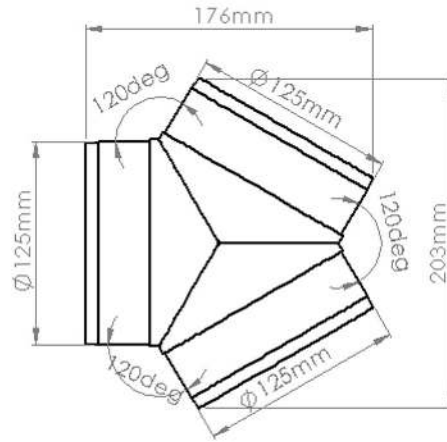




PRODUCT DATA SHEET

DUCVKC3500

ROUND Y PIECE



SPECIFICATION DETAILS

The DUCVKC3500 125mm diameter Round Y Piece is manufactured from (white) High Impact Polystyrene and has a minimum free area of 11,500mm². It has a male spigot for connection inside of the System 125 duct.

The DUCVKC3500 is fully compliant with SAP Appendix Q Product Characteristics Database recommendations for duct sizes used with both extract and Mechanical Heat Recovery Systems.

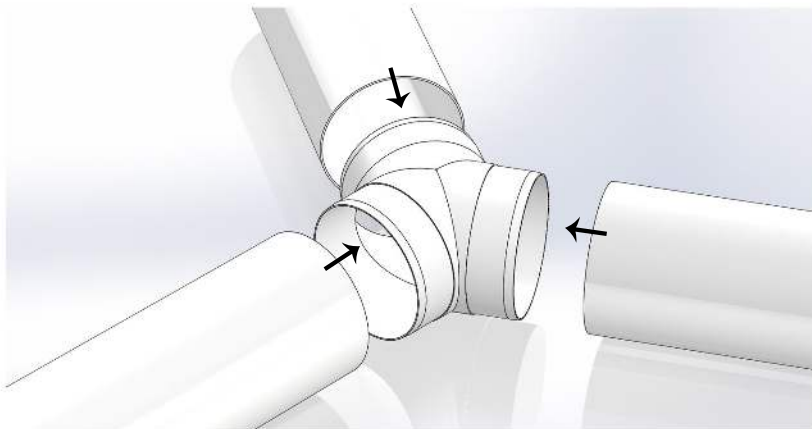
DUCVKC3500 is manufactured in compliance with Domestic Plastic Ductwork Specification DW/154 and does meet UL94HB flammability standard.

DUCVKC3500 has been designed for use with Kair System 125 Round.

MAX/MIN OPERATING TEMPERATURES

+ 60°C to - 15°C

Manufacturer:	Kair Ventilation
Part Number:	DUCVKC3500
Size:	125mm Diameter
For use with:	Kair System 125
Box quantity:	24
Individual Weight:	151g
Colour:	White



AIRFLOW	RESISTANCE
8 l/s	N/A
13 l/s	N/A
21 l/s	N/A
30 l/s	N/A
60 l/s	N/A
120 l/s	N/A

Associated Ancillaries

