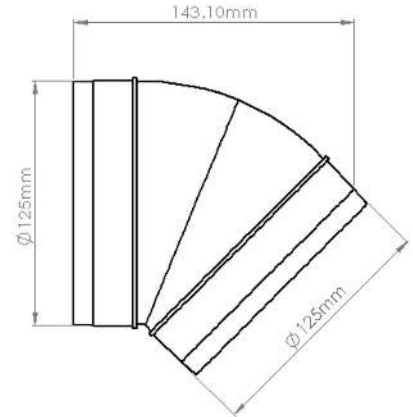
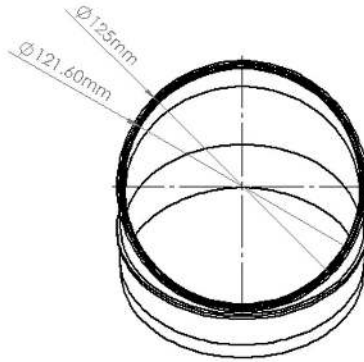




PRODUCT DATA SHEET

DUCVKC351

ROUND ELBOW 45° BEND



SPECIFICATION DETAILS

The DUCVKC351 125mm diameter 45° bend is manufactured from (white) High Impact Polystyrene and has minimum free area of 11,613mm². It has a male spigot for connection inside of the System 125 duct.

The DUCVKC351 is fully compliant with SAP Appendix Q Product Characteristics Database recommendations for duct sizes used with both extract and Mechanical Heat Recovery Systems.

DUCVKC351 is manufactured in compliance with Domestic Plastic Ductwork Specification DW/154 and does meet UL94HB flammability standard.

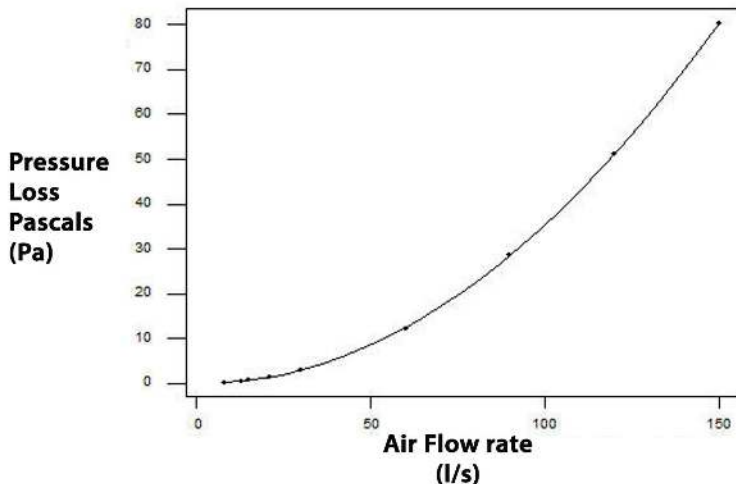
DUCVKC351 has been designed for use with Kair System 125 Round.

Manufacturer:	Kair Ventilation
Part Number:	DUCVKC351
Size:	125mm Diameter
For use with:	Kair System 125
Box quantity:	30
Individual Weight:	102g
Colour:	White

MAX/MIN OPERATING TEMPERATURES

+ 60°C to - 15°C

PERFORMANCE CURVE



AIRFLOW	RESISTANCE
8 l/s	0.20 pa
13 l/s	0.50 pa
21 l/s	1.40 pa
30 l/s	2.90 pa
60 l/s	12.20 pa
120 l/s	51.20 pa

Associated Ancillaries

