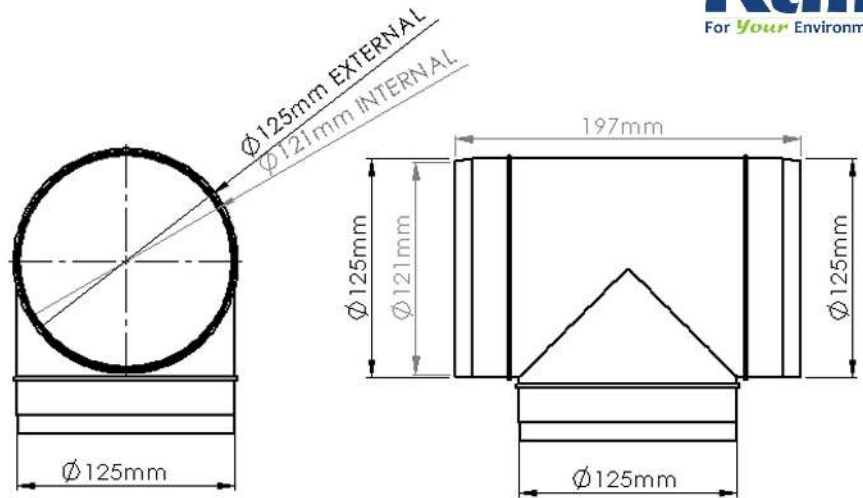




**PRODUCT DATA SHEET**

**DUCVKC352**

**ROUND EQUAL T PIECE**



**SPECIFICATION DETAILS**

The DUCVKC352 125mm diameter Equal T Piece is manufactured from (white) High Impact Polystyrene and has a minimum free area of 11,613mm<sup>2</sup>. It has a male spigot for connection inside of the System 125 duct.

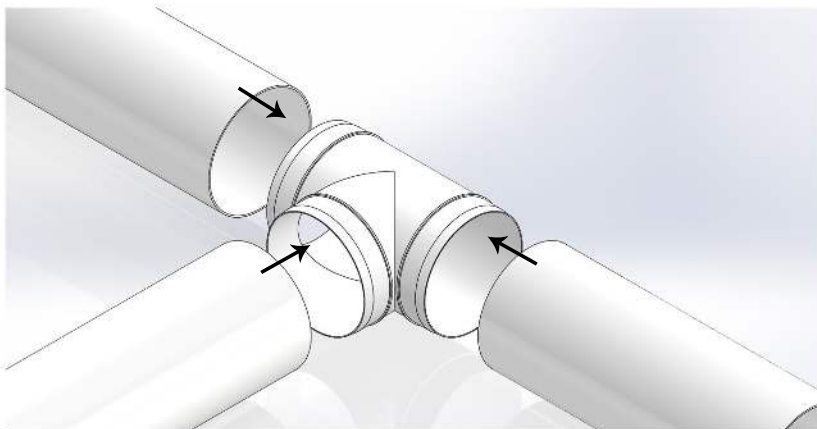
The DUCVKC352 is fully compliant with SAP Appendix Q Product Characteristics Database recommendations for duct sizes used with both extract and Mechanical Heat Recovery Systems.

DUCVKC352 is manufactured in compliance with Domestic Plastic Ductwork Specification DW/154 and does meet UL94HB flammability standard.

DUCVKC352 has been designed for use with Kair System 125 Round.

<b>Manufacturer:</b>	Kair Ventilation
<b>Part Number:</b>	DUCVKC352
<b>Size:</b>	125mm Diameter
<b>For use with:</b>	Kair System 125
<b>Box quantity:</b>	16
<b>Individual Weight:</b>	174g
<b>Colour:</b>	White

<b>MAX/MIN OPERATING TEMPERATURES</b>	+ 60°C to - 15°C
---------------------------------------	------------------



AIRFLOW	RESISTANCE
8 l/s	N/A
13 l/s	N/A
21 l/s	N/A
30 l/s	N/A
60 l/s	N/A
120 l/s	N/A

**Associated Ancillaries**

