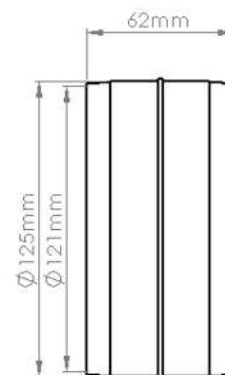
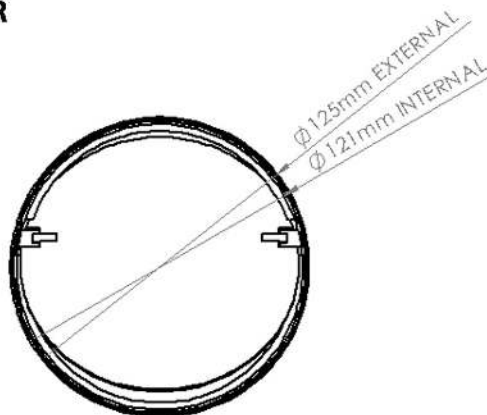




PRODUCT DATA SHEET

DUCVKC353

125MM CONNECTOR WITH DAMPER



SPECIFICATION DETAILS

The DUCVKC353 125mm diameter Round Connector With Damper is manufactured from (white) High Impact Polystyrene and has a minimum free area of 11,500mm² and has male fittings for connection inside of the duct.

The DUCVKC353 is compliant with SAP Appendix Q Product Characteristics Database recommendations for duct sizes used with both extract and Mechanical Heat Recovery Systems.

DUCVKC353 is manufactured in compliance with Domestic Plastic Ductwork Specification DW/154 and does meet UL94HB flammability standard.

DUCVKC353 has been designed for use with Kair System 125mm Round.

MAX/MIN OPERATING TEMPERATURES

+ 60°C to - 15°C

Manufacturer:

Kair Ventilation

Part Number:

DUCVKC353

Size:

125mm Diameter

For use with:

Kair System 125

Box quantity:

20

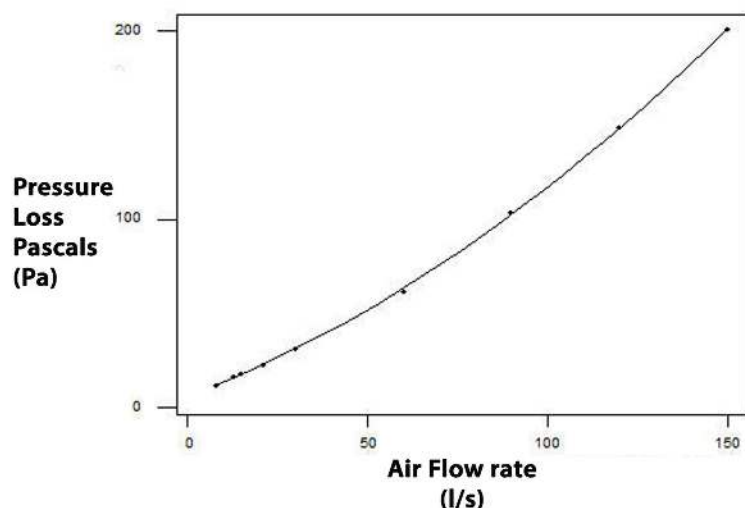
Individual Weight:

70g

Colour:

White

PERFORMANCE CURVE



AIRFLOW

RESISTANCE

8 l/s

11.40 pa

13 l/s

16.00 pa

21 l/s

22.86 pa

30 l/s

31.50 pa

60 l/s

61.70 pa

120 l/s

149.00 pa

Associated Ancillaries

