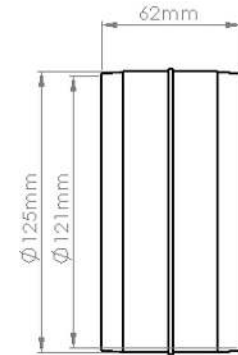
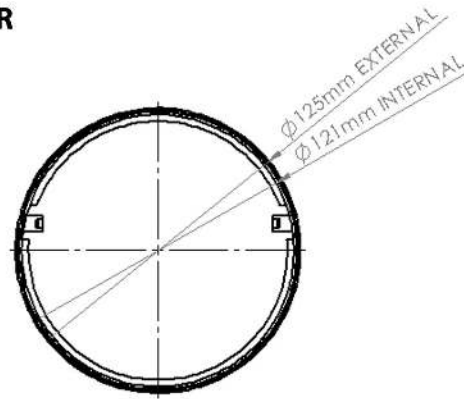




PRODUCT DATA SHEET

DUCVKC355

ROUND PIPE STRAIGHT CONNECTOR



SPECIFICATION DETAILS

The DUCVKC355 125mm diameter Round Pipe Straight Connector is manufactured from (white) High Impact Polystyrene and has a minimum free area of 11,613mm². It has a male spigot for connection inside of the System 125 duct.

DUCVKC355 is manufactured in compliance with Domestic Plastic Ductwork Specification DW/154 and does meet UL94HB flammability standard.

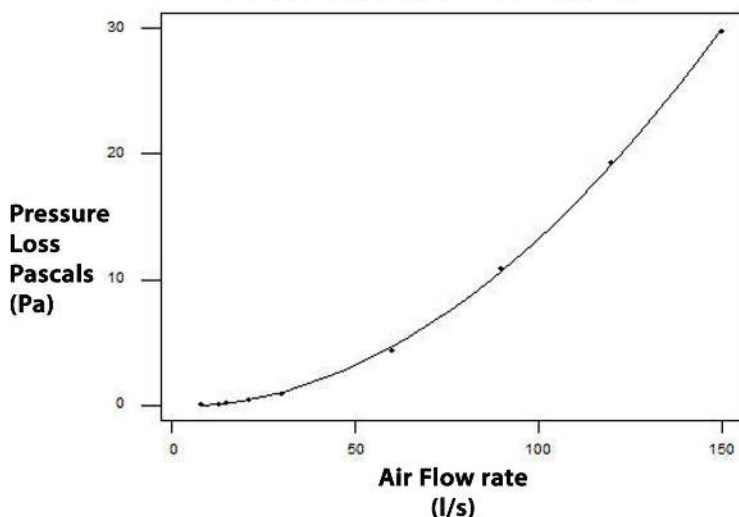
DUCVKC355 has been designed for use with Kair System 125 Round.

Manufacturer:	Kair Ventilation
Part Number:	DUCVKC355
Size:	125mm Diameter
For use with:	Kair System 125
Box quantity:	20
Individual Weight:	52g
Colour:	White

MAX/MIN OPERATING TEMPERATURES

+ 60°C to - 15°C

PERFORMANCE CURVE



AIRFLOW	RESISTANCE
8 l/s	0.05 pa
13 l/s	0.12 pa
21 l/s	0.45 pa
30 l/s	0.90 pa
60 l/s	4.30 pa
120 l/s	19.40 pa

Associated Ancillaries

