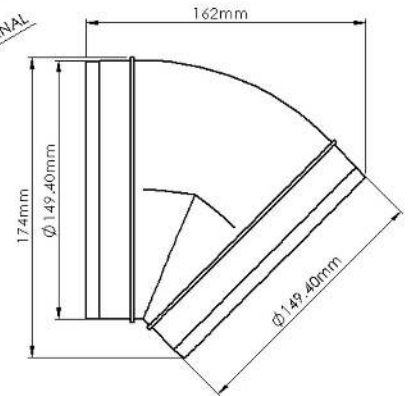
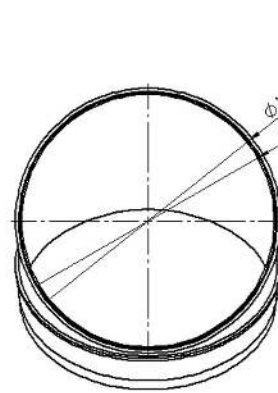




PRODUCT DATA SHEET

DUCVKC361

ROUND ELBOW 45° BEND



SPECIFICATION DETAILS

The DUCVKC361 150mm diameter 45° bend is manufactured from (white) High Impact Polystyrene and has minimum free area of 16,787mm². It has a male spigot for connection inside of the System 150 duct.

The DUCVKC361 is fully compliant with SAP Appendix Q Product Characteristics Database recommendations for duct sizes used with both extract and Mechanical Heat Recovery Systems.

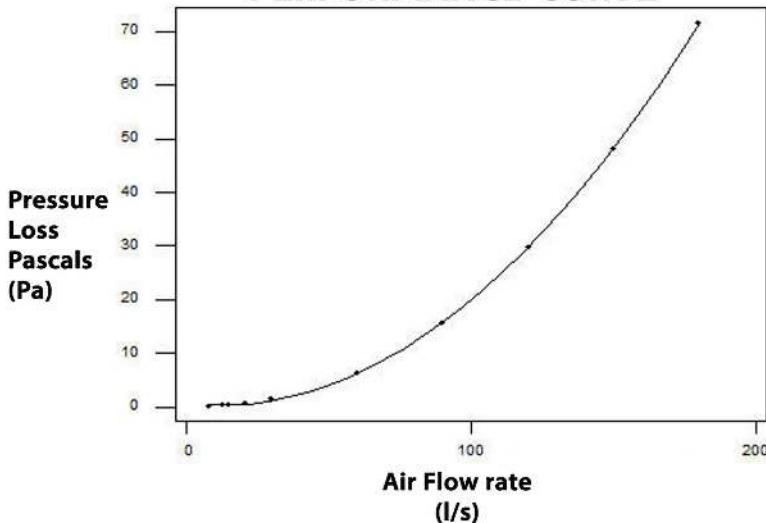
DUCVKC361 is manufactured in compliance with Domestic Plastic Ductwork Specification DW/154 and does meet UL94HB flammability standard.

DUCVKC361 has been designed for use with Kair System 150 Round.

Manufacturer:	Kair Ventilation
Part Number:	DUCVKC361
Size:	150mm Diameter
For use with:	Kair System 150
Box quantity:	10
Individual Weight:	176g
Colour:	White

MAX/MIN OPERATING TEMPERATURES	+ 60°C to - 15°C
---------------------------------------	------------------

PERFORMANCE CURVE



AIRFLOW	RESISTANCE
8 l/s	0.10 pa
13 l/s	0.30 pa
21 l/s	0.70 pa
30 l/s	1.47 pa
60 l/s	6.37 pa
120 l/s	29.75 pa

Associated Ancillaries

