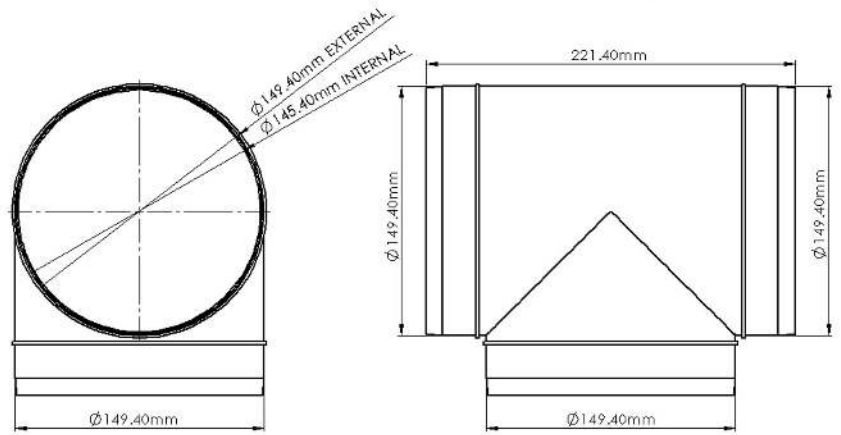




PRODUCT DATA SHEET

DUCVKC362

150MM EQUAL T PIECE



SPECIFICATION DETAILS

The DUCVKC362 150mm diameter Equal T Piece is manufactured from (white) High Impact Polystyrene and has a minimum free area of 16,627mm². It has a male spigot for connection inside of the System 150 duct.

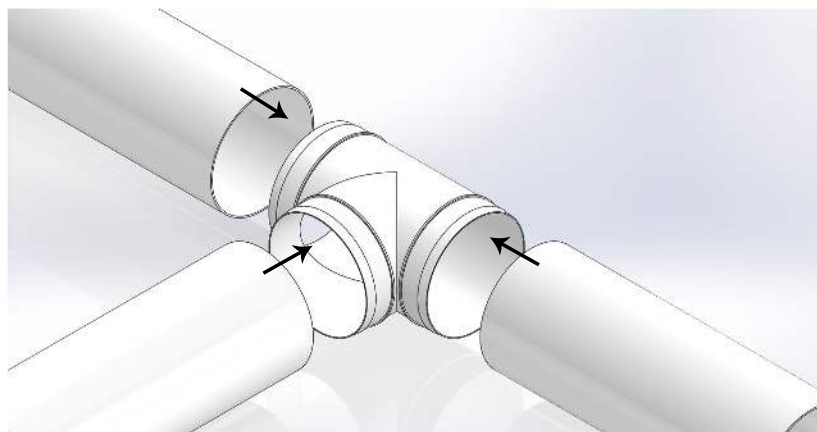
The DUCVKC362 is fully compliant with SAP Appendix Q Product Characteristics Database recommendations for duct sizes used with both extract and Mechanical Heat Recovery Systems.

DUCVKC362 is manufactured in compliance with Domestic Plastic Ductwork Specification DW/154 and does meet UL94HB flammability standard.

DUCVKC362 has been designed for use with Kair System 150 Round.

Manufacturer:	Kair Ventilation
Part Number:	DUCVKC362
Size:	150mm Diameter
For use with:	Kair System 150
Box quantity:	8
Individual Weight:	220g
Colour:	White

MAX/MIN OPERATING TEMPERATURES	+ 60°C to - 15°C
---------------------------------------	------------------



AIRFLOW	RESISTANCE
8 l/s	N/A
13 l/s	N/A
21 l/s	N/A
30 l/s	N/A
60 l/s	N/A
120 l/s	N/A

Associated Ancillaries

