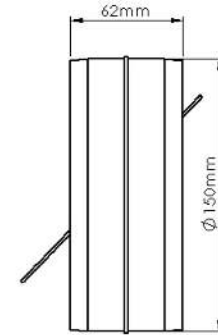
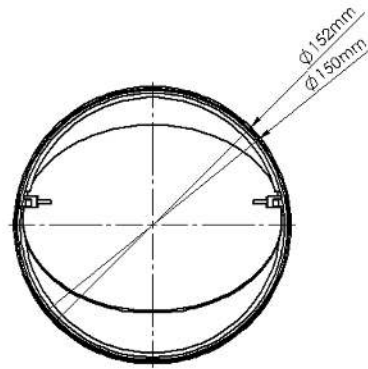




PRODUCT DATA SHEET

DUCVKC363

150MM CONNECTOR WITH DAMPER



SPECIFICATION DETAILS

The DUCVKC363 150mm diameter Round Connector With Damper is manufactured from (white) High Impact Polystyrene and has a minimum free area of 16,787mm² and has male fittings for connection inside of the duct.

DUCVKC363 is manufactured in compliance with Domestic Plastic Ductwork Specification DW/154 and does meet UL94HB flammability standard.

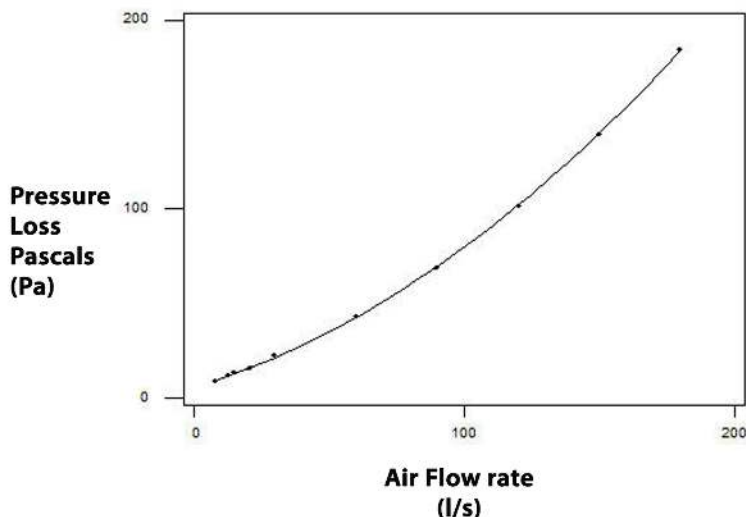
DUCVKC363 has been designed for use with Kair System 150mm Round.

Manufacturer:	Kair Ventilation
Part Number:	DUCVKC363
Size:	150mm Diameter
For use with:	Kair System 150
Box quantity:	20
Individual Weight:	100g
Colour:	White

MAX/MIN OPERATING TEMPERATURES

+ 60°C to - 15°C

PERFORMANCE CURVE



AIRFLOW	RESISTANCE
8 l/s	9.00 pa
13 l/s	12.00 pa
21 l/s	16.00 pa
30 l/s	23.00 pa
60 l/s	43.60 pa
120 l/s	102.00 pa

Associated Ancillaries

