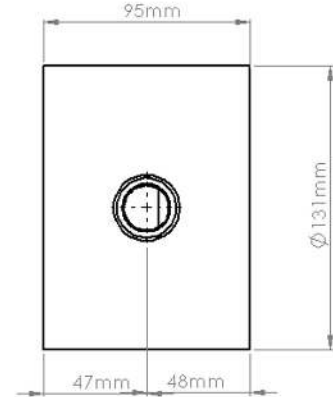
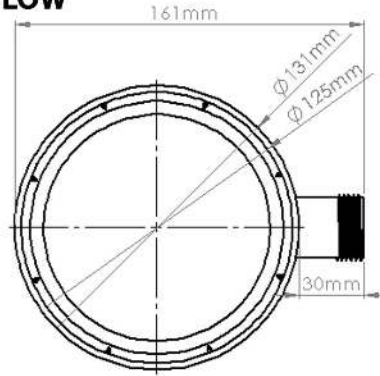




PRODUCT DATA SHEET

DUCVKC445

CONDENSATION TRAP WITH OVERFLOW



SPECIFICATION DETAILS

The DUCVKC445 125mm diameter Condensation Trap is manufactured from (grey) PVC and has a minimum free area of 8,561mm². It has a female adaptor for connection to our System 125 Round Ducting using two DUCVKC355 Connectors.

The Condensation Trap is installed at the lowest point in vertical rises where moisture from condensation can occur. The DUCVKC445 captures any moisture running down the inside of the duct and is drained via a 22mm overflow pipe connector.

DUCVKC445 is manufactured in compliance with Domestic Plastic Ductwork Specification DW/154 and does meet UL94HB flammability standard.

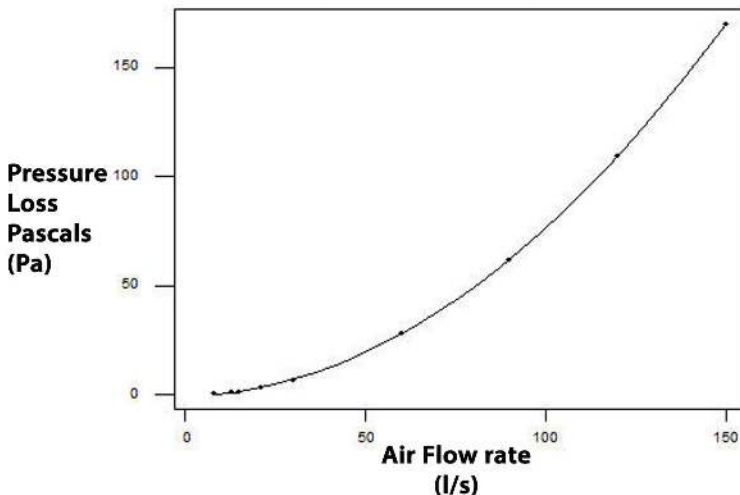
DUCVKC445 has been designed for use with Kair System 125 Round.

Manufacturer:	Kair Ventilation
Part Number:	DUCVKC445
Size:	125mm Diameter
For use with:	Kair System 125
Box quantity:	10
Individual Weight:	160g
Colour:	Grey

MAX/MIN OPERATING TEMPERATURES

+ 60°C to -15°C

PERFORMANCE CURVE



AIRFLOW	RESISTANCE
8 l/s	0.30 pa
13 l/s	1.00 pa
21 l/s	3.00 pa
30 l/s	6.70 pa
60 l/s	28.00 pa
120 l/s	110.00 pa

Associated Ancillaries

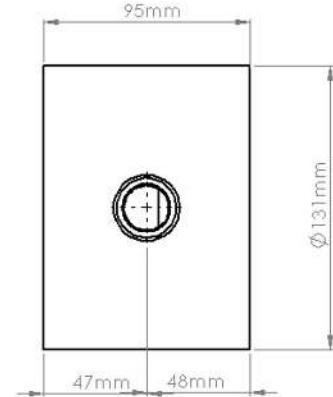
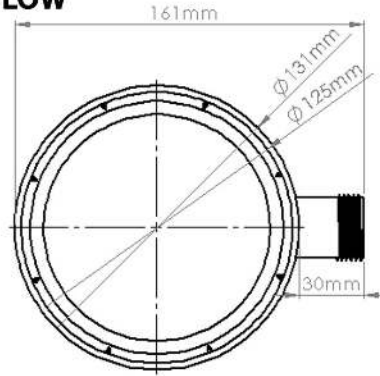




PRODUCT DATA SHEET

DUCVKC445

CONDENSATION TRAP WITH OVERFLOW



SPECIFICATION DETAILS

The DUCVKC445 125mm diameter Condensation Trap is manufactured from (grey) PVC and has a minimum free area of 8,561mm². It has a female adaptor for connection to our System 125 Round Ducting using two DUCVKC355 Connectors.

The Condensation Trap is installed at the lowest point in vertical rises where moisture from condensation can occur. The DUCVKC445 captures any moisture running down the inside of the duct and is drained via a 22mm overflow pipe connector.

DUCVKC445 is manufactured in compliance with Domestic Plastic Ductwork Specification DW/154 and does meet UL94HB flammability standard.

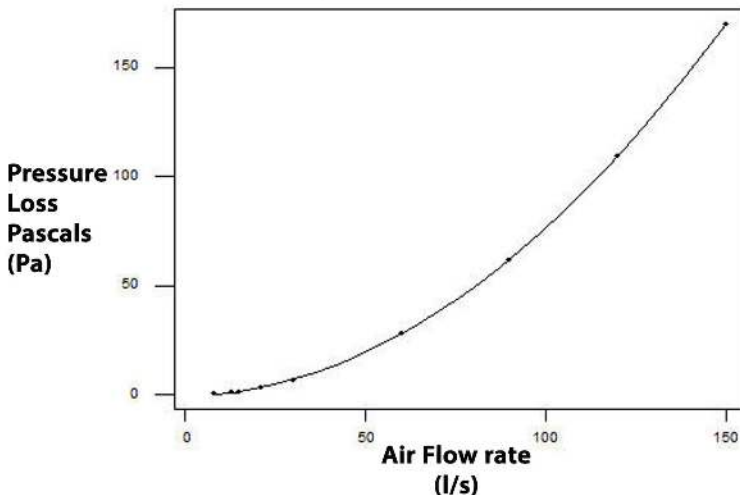
DUCVKC445 has been designed for use with Kair System 125 Round.

Manufacturer:	Kair Ventilation
Part Number:	DUCVKC445
Size:	125mm Diameter
For use with:	Kair System 125
Box quantity:	10
Individual Weight:	160g
Colour:	Grey

MAX/MIN OPERATING TEMPERATURES

+ 60°C to -15°C

PERFORMANCE CURVE



AIRFLOW	RESISTANCE
8 l/s	0.30 pa
13 l/s	1.00 pa
21 l/s	3.00 pa
30 l/s	6.70 pa
60 l/s	28.00 pa
120 l/s	110.00 pa

Associated Ancillaries

