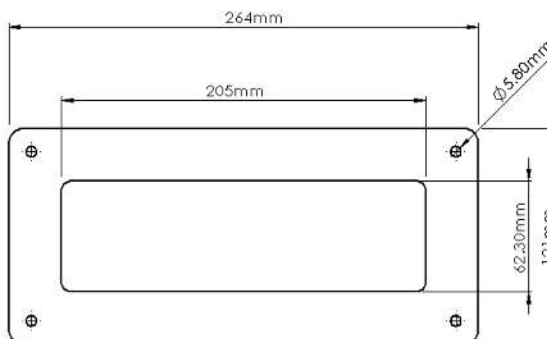




PRODUCT DATA SHEET

DUCVKC5601

RECTANGULAR WALL PLATE



SPECIFICATION DETAILS

The DUCVKC5601 204x60mm Rectangular Wall Plate is manufactured from (white) Polypropylene.

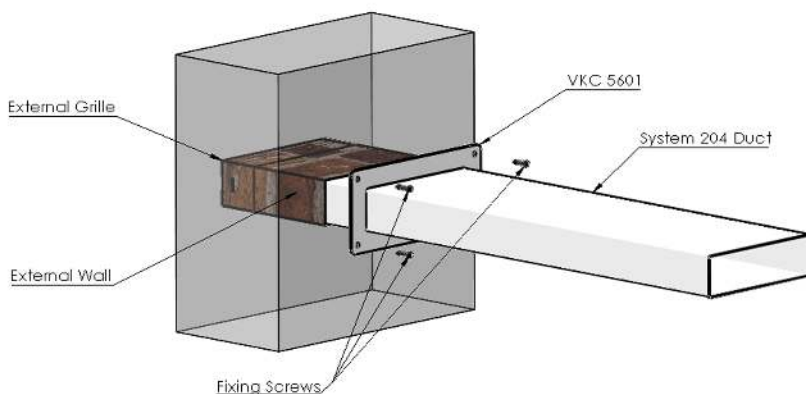
The DUCVKC5601 is fully compliant with SAP Appendix Q Product Characteristics Database recommendations for duct sizes used with both extract and Mechanical Heat Recovery Systems.

DUCVKC5601 is manufactured in compliance with Domestic Plastic Ductwork Specification DW/154 and does meet UL94HB flammability standard.

DUCVKC5601 has been designed for use with Kair System 204.

Manufacturer:	Kair Ventilation
Part Number:	DUCVKC5601
Size:	204mm x 60mm
For use with:	Kair System 204
Box quantity:	100
Individual Weight:	45g
Colour:	White

MAX/MIN OPERATING TEMPERATURES	+ 60°C to - 15°C
---------------------------------------	------------------



AIRFLOW	RESISTANCE
8 l/s	N/A
13 l/s	N/A
21 l/s	N/A
30 l/s	N/A
60 l/s	N/A
120 l/s	N/A

Associated Ancillaries

