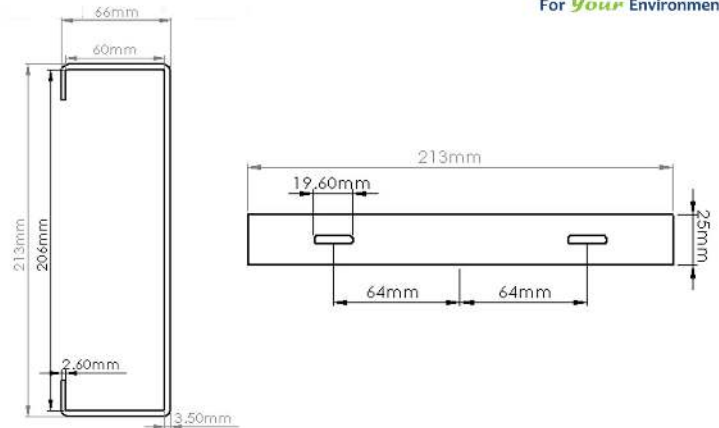




PRODUCT DATA SHEET

DUCVKC5610

FLAT CHANNEL CLIP



SPECIFICATION DETAILS

The DUCVKC5610 204x60mm Rectangular Flat Channel Clip is manufactured from (white) Polypropylene.

It is secured to the floor slab/joist using the pre-determined screw fixing positions. The duct is then clipped into the DUCVKC5610. Rigid Duct must be adequately supported and it is recommended at least every meter or either side of a connector.

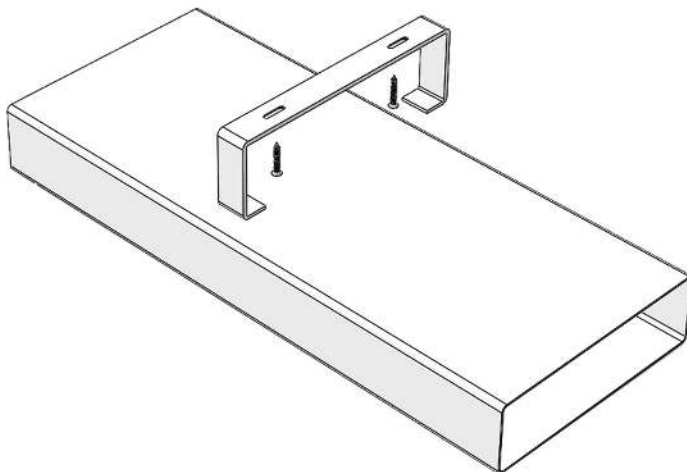
DUCVKC5610 is manufactured in compliance with Domestic Plastic Ductwork Specification DW/154 and does meet UL94HB flammability standard.

DUCVKC5610 has been designed for use with Kair System 204 Rectangular.

Manufacturer:	Kair Ventilation
Part Number:	DUCVKC5610
Size:	204x60mm
For use with:	Kair System 204
Box quantity:	60
Individual Weight:	30g
Colour:	White

MAX/MIN OPERATING TEMPERATURES

+ 60°C to - 15°C



AIRFLOW	RESISTANCE
8 l/s	N/A
13 l/s	N/A
21 l/s	N/A
30 l/s	N/A
60 l/s	N/A
120 l/s	N/A

Associated Ancillaries

