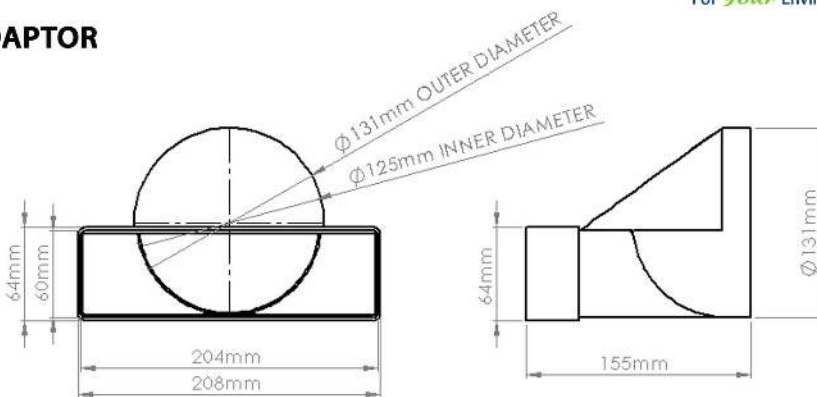




**PRODUCT DATA SHEET**  
**DUCVKC5613**  
 ROUND TO RECTANGULAR ADAPTOR



**SPECIFICATION DETAILS**

The DUCVKC5613 204x60mm to 125mm diameter Straight Round to Rectangular Adaptor is manufactured from (white) High Impact Polystyrene. The 204x60mm rectangular end has a minimum free area of 11,452mm<sup>2</sup> with a female adaptor for connection outside of the System 204 duct.

The 125mm diameter round end has a minimum free area of 12,266mm<sup>2</sup> and fits over the male spigot of the System 125 fittings.

The DUCVKC5613 is fully compliant with SAP Appendix Q Product Characteristics Database recommendations for duct sizes used with both extract and Mechanical Heat Recovery Systems.

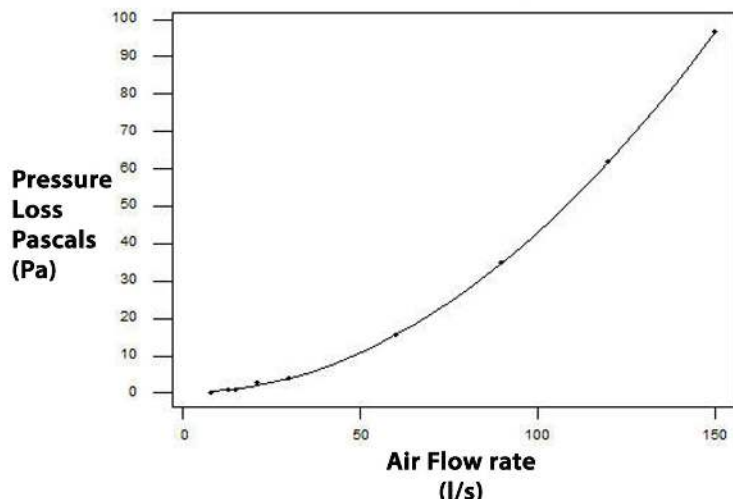
DUCVKC5613 is manufactured in compliance with Domestic Plastic Ductwork Specification DW/154 and does meet UL94HB flammability standard.

DUCVKC5613 has been designed for use with Kair System 204.

<b>Manufacturer:</b>	Kair Ventilation
<b>Part Number:</b>	DUCVKC5613
<b>Size:</b>	204mm x 60mm to 125mm Diameter
<b>For use with:</b>	Kair System 204
<b>Box quantity:</b>	5
<b>Individual Weight:</b>	180g
<b>Colour:</b>	White

<b>MAX/MIN OPERATING TEMPERATURES</b>	+ 60°C to - 15°C
---------------------------------------	------------------

**PERFORMANCE CURVE**



AIRFLOW	RESISTANCE
8 l/s	0 pa
13 l/s	0.88 pa
21 l/s	2.40 pa
30 l/s	3.84 pa
60 l/s	15.41 pa
120 l/s	61.86 pa

**Associated Ancillaries**

