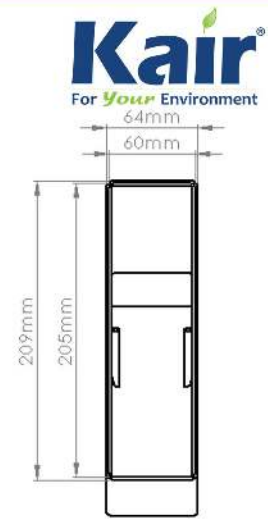
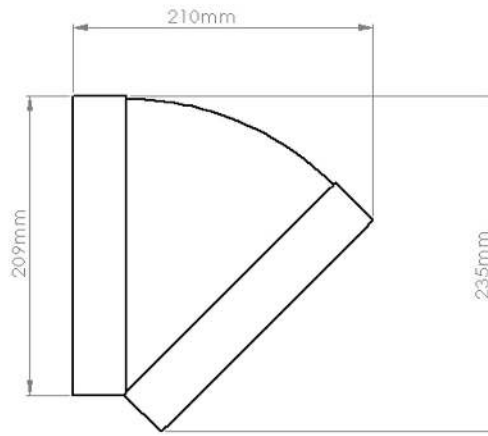




**PRODUCT DATA SHEET**

**DUCVKC5616**

**HORIZONTAL 45° BEND**



**SPECIFICATION DETAILS**

The DUCVKC5616 204x60mm Rectangular 45° Horizontal Bend is manufactured from (white) High Impact Polystyrene and has a minimum free area of 11,452mm<sup>2</sup>. It has a female adaptor for connection outside of the System 204 duct.

The DUCVKC5616 is fully compliant with SAP Appendix Q Product Characteristics Database recommendations for duct sizes used with both extract and Mechanical Heat Recovery Systems.

DUCVKC5616 is manufactured in compliance with Domestic Plastic Ductwork Specification DW/154 and does meet UL94HB flammability standard.

DUCVKC5616 has been designed for use with Kair System 204.

**MAX/MIN OPERATING TEMPERATURES**

+ 60°C to - 15°C

**Manufacturer:**

Kair Ventilation

**Part Number:**

DUCVKC5616

**Size:**

204mm x 60mm

**For use with:**

Kair System 204

**Box quantity:**

10

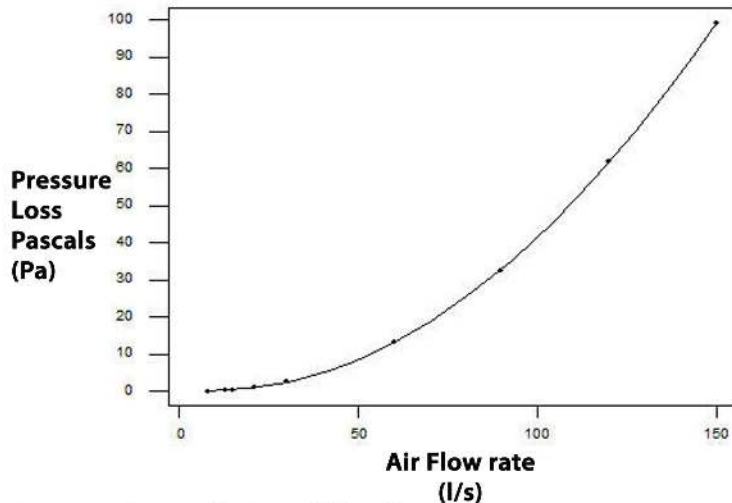
**Individual Weight:**

200g

**Colour:**

White

**PERFORMANCE CURVE**



**AIRFLOW**

**RESISTANCE**

8 l/s

0 pa

13 l/s

0.30 pa

21 l/s

1.20 pa

30 l/s

2.71 pa

60 l/s

13.22 pa

120 l/s

62.00 pa

**Associated Ancillaries**

