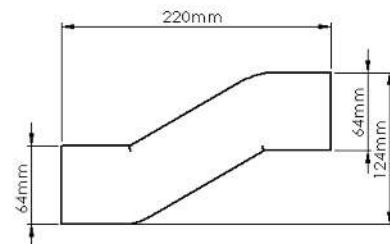
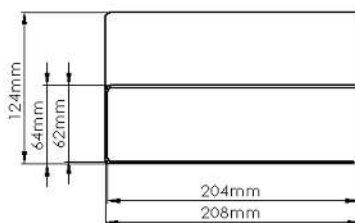




PRODUCT DATA SHEET

DUCVKC5653

CROSS OVER DUCT CONNECTOR



SPECIFICATION DETAILS

The DUCVKC5653 204x60mm Cross Over Duct Connector is manufactured from (white) High Impact Polystyrene and has a minimum free area of 11,452mm².

It has a female adaptor for connection outside of the System 204 duct.

The DUCVKC5653 is fully compliant with SAP Appendix Q Product Characteristics Database recommendations for duct sizes used with both extract and Mechanical Heat Recovery Systems.

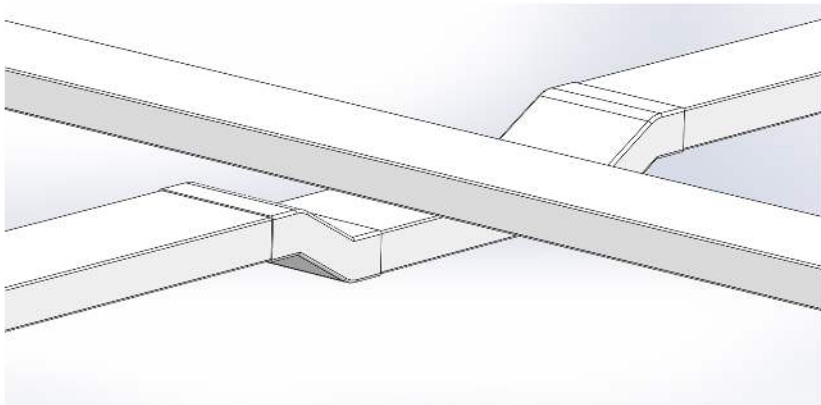
DUCVKC5653 is manufactured in compliance with Domestic Plastic Ductwork specification DW/154 and does meet UL94HB flammability standard.

DUCVKC5653 has been designed for use with Kair System 204.

Manufacturer:	Kair Ventilation
Part Number:	DUCVKC5653
Size:	204mm x 60mm
For use with:	Kair System 204
Box quantity:	24
Individual Weight:	267g
Colour:	White

MAX/MIN OPERATING TEMPERATURES

+ 60°C to - 15°C



AIRFLOW	RESISTANCE
8 l/s	N/A
13 l/s	N/A
21 l/s	N/A
30 l/s	N/A
60 l/s	N/A
120 l/s	N/A

Associated Ancillaries

