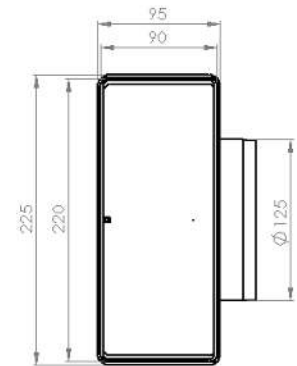
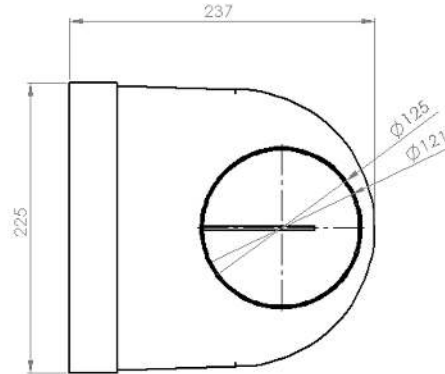




PRODUCT DATA SHEET

DUCVKC5706

ELBOW BEND WITH 125MM FIXED SPIGOT



SPECIFICATION DETAILS

The DUCVKC5706 220x90mm Rectangular Elbow Bend with 125mm diameter Fixed Spigot Bend is manufactured from (white) High Impact Polystyrene. The 220x90mm rectangular end has a minimum free area of 18,545mm² with a female adaptor for connection outside of the System 220 duct.

The 125mm diameter round end has a minimum free area of 12,266mm² with a male spigot for connection inside of the System 125 duct.

The DUCVKC5706 is fully compliant with SAP Appendix Q Product Characteristics Database recommendations for duct sizes used with both extract and Mechanical Heat Recovery Systems.

DUCVKC5706 is manufactured in compliance with Domestic Plastic Ductwork Specification DW/154 and does meet UL94HB flammability standard.

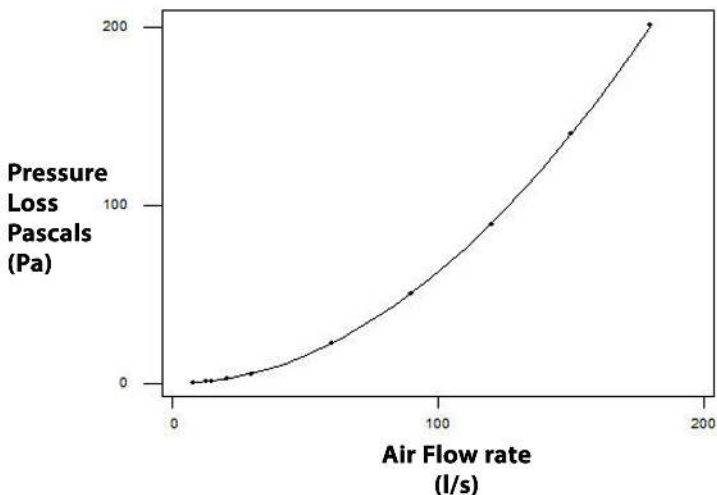
DUCVKC5706 has been designed for use with Kair System 220.

Manufacturer:	Kair Ventilation
Part Number:	DUCVKC5706
Size:	220mm x 90mm to 125mm Diameter
For use with:	Kair System 220
Box quantity:	8
Individual Weight:	378g
Colour:	White

MAX/MIN OPERATING TEMPERATURES

+ 60°C to - 15°C

PERFORMANCE CURVE



AIRFLOW	RESISTANCE
8 l/s	0.80 pa
13 l/s	1.40 pa
21 l/s	3.50 pa
30 l/s	5.90 pa
60 l/s	23.00 pa
120 l/s	90.20 pa

Associated Ancillaries

