

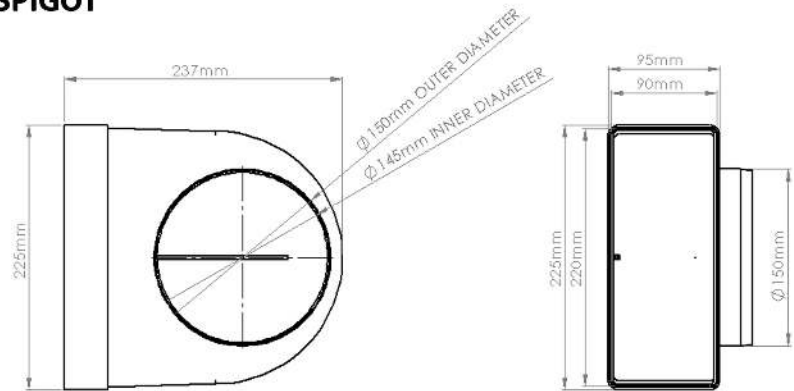


PRODUCT DATA SHEET

DUCVKC5726

ELBOW BEND WITH 150MM FIXED SPIGOT

Kair
For *Your* Environment



SPECIFICATION DETAILS

The DUCVKC5726 220x90mm Rectangular Elbow Bend with 150mm diameter Fixed Spigot Bend is manufactured from (white) High Impact Polystyrene.

The 220x90mm rectangular end has a minimum free area of 18,545mm² with a female adaptor for connection outside of the System 220 duct.

The 150mm diameter round end has a minimum free area of 16,798mm² with a male spigot for connection inside of the System 150 duct.

The DUCVKC5726 is fully compliant with SAP Appendix Q Product Characteristics Database recommendations for duct sizes used with both extract and Mechanical Heat Recovery Systems.

DUCVKC5726 is manufactured in compliance with Domestic Plastic Ductwork Specification DW/154 and does meet UL94HB flammability standard.

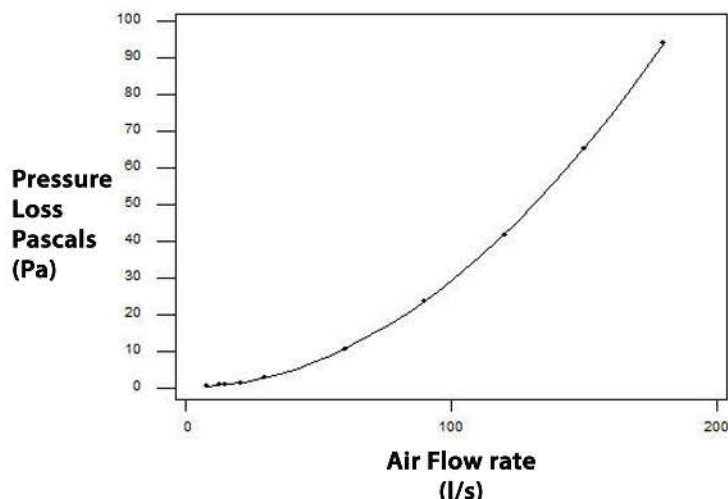
DUCVKC5726 has been designed for use with Kair System 220.

Manufacturer:	Kair Ventilation
Part Number:	DUCVKC5726
Size:	220mm x 90mm to 150mm Diameter
For use with:	Kair System 220
Box quantity:	8
Individual Weight:	376g
Colour:	White

MAX/MIN OPERATING TEMPERATURES

+ 60°C to - 15°C

PERFORMANCE CURVE



AIRFLOW	RESISTANCE
8 l/s	0.43 pa
13 l/s	0.79 pa
21 l/s	1.37 pa
30 l/s	2.80 pa
60 l/s	10.60 pa
120 l/s	41.80 pa

Associated Ancillaries

