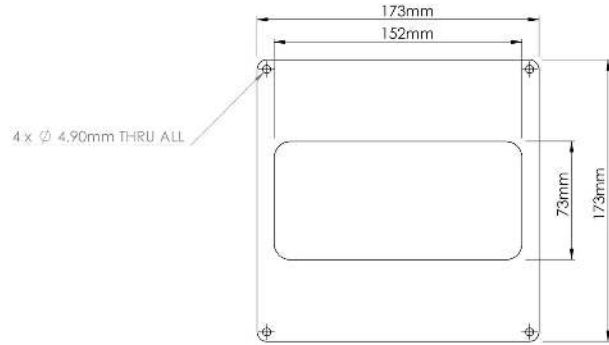




PRODUCT DATA SHEET

DUCVKC601

RECTANGULAR WALL PLATE



SPECIFICATION DETAILS

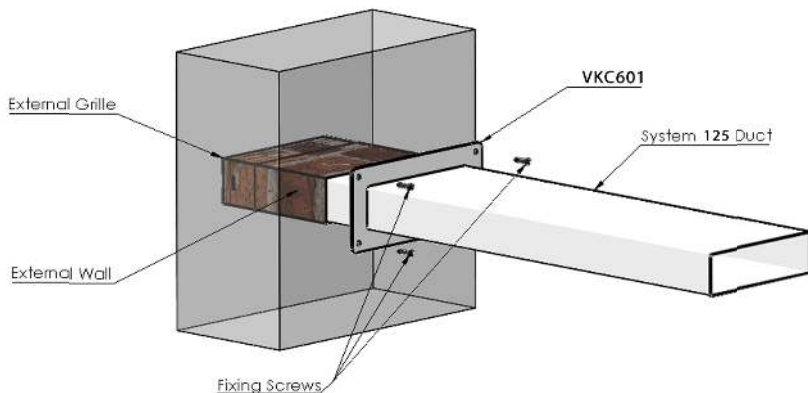
The DUCVKC601 150x70mm Rectangular Wall Plate is manufactured from (white) Polypropylene it is suitable for the use with the Verplas System 125 Rectangular. The Wall Plate is installed around the ducting and is fixed to the wall using the four 4mm screw holes provided.

DUCVKC601 is manufactured in compliance with Domestic Plastic Ductwork Specification DW/154 and does meet UL94HB flammability standard.

DUCVKC601 has been designed for use with Kair System 125 Rectangular.

Manufacturer:	Kair Ventilation
Part Number:	DUCVKC601
Size:	150 x 70mm
For use with:	Kair System 125
Box quantity:	10
Individual Weight:	30g
Colour:	White

MAX/MIN OPERATING TEMPERATURES	+ 60°C to - 15°C
---------------------------------------	------------------



AIRFLOW	RESISTANCE
8 l/s	N/A
13 l/s	N/A
15 l/s	N/A
30 l/s	N/A
60 l/s	N/A
120 l/s	N/A

Associated Ancillaries

