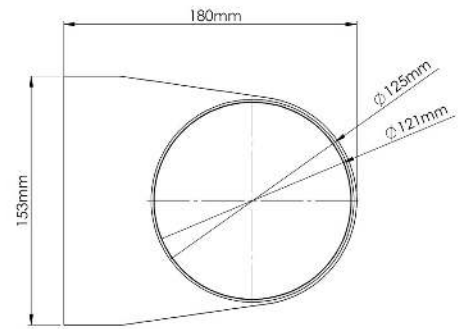
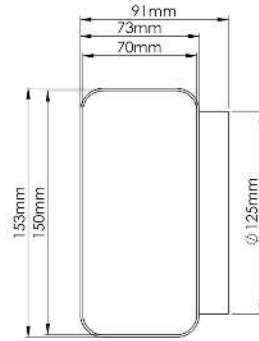




**PRODUCT DATA SHEET**

**DUCVKC606**

**150X70MM MALE 90° ELBOW BEND**



**SPECIFICATION DETAILS**

The DUCVKC606 150x70mm Rectangular Male Elbow Bend with 125mm diameter spigot is manufactured from (white) High Impact Polystyrene. The 150x70mm rectangular spigot has a minimum free area of 9,720mm<sup>2</sup> with a female adaptor for connection outside of the Rectangular System 125 duct. The 125mm diameter round spigot has a minimum free area of 11,613mm<sup>2</sup> with a male spigot for connection inside of the Round System 125 duct.

DUCVKC606 is manufactured in compliance with Domestic Plastic Ductwork Specification DW/154 and does meet UL94HB flammability standard.

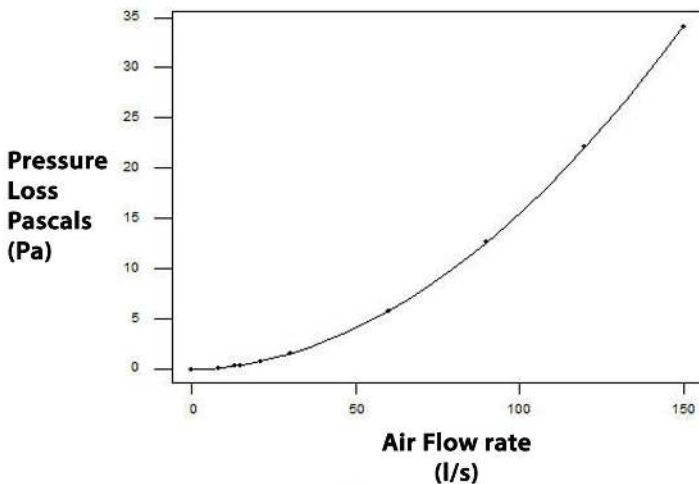
DUCVKC606 has been designed for use with Kair System 125.

<b>Manufacturer:</b>	Kair Ventilation
<b>Part Number:</b>	DUCVKC606
<b>Size:</b>	150 x 70mm
<b>For use with:</b>	Kair System 125
<b>Box quantity:</b>	10
<b>Individual Weight:</b>	110g
<b>Colour:</b>	White

**MAX/MIN OPERATING TEMPERATURES**

+ 60°C to - 15°C

**PERFORMANCE CURVE**



AIRFLOW	RESISTANCE
8 l/s	0.10 pa
13 l/s	0.30 pa
21 l/s	0.80 pa
30 l/s	1.50 pa
60 l/s	5.76 pa
120 l/s	22.19 pa

**Associated Ancillaries**

