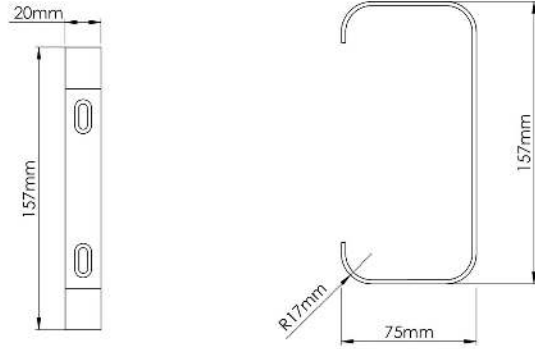




**PRODUCT DATA SHEET**

**DUCVKC610**

150X70MM FLAT CHANNEL CLIP



**SPECIFICATION DETAILS**

The DUCVKC610 150x70mm Rectangular Flat Channel Clip is manufactured from (white) Polypropylene. It is secured to the floor slab/joist using the pre-determined screw fixing positions. The duct is then clipped into the DUCVKC610.

Rigid Duct must be adequately supported and it is recommended at least every metre or either side of a connector.

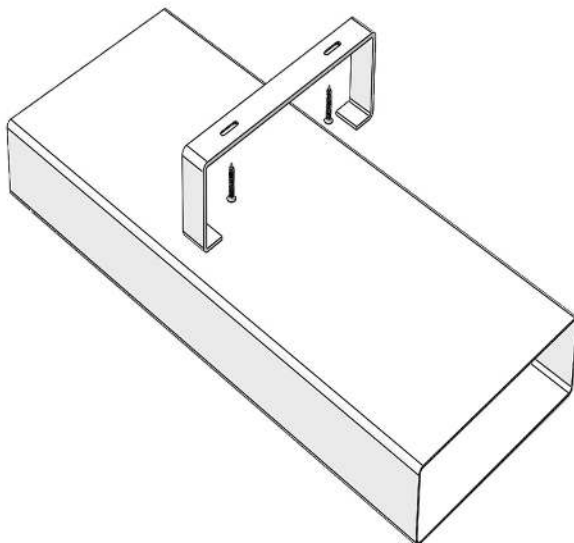
DUCVKC610 is manufactured in compliance with Domestic Plastic Ductwork Specification DW/154 and does meet UL94HB flammability standard.

DUCVKC610 has been designed for use with Kair System 125 Rectangular.

<b>Manufacturer:</b>	Kair Ventilation
<b>Part Number:</b>	DUCVKC610
<b>Size:</b>	150 x 70mm
<b>For use with:</b>	Kair System 125
<b>Box quantity:</b>	150
<b>Individual Weight:</b>	10g
<b>Colour:</b>	White

**MAX/MIN OPERATING TEMPERATURES**

+ 60°C to - 15°C



AIRFLOW	RESISTANCE
8 l/s	N/A
13 l/s	N/A
21 l/s	N/A
30 l/s	N/A
60 l/s	N/A
120 l/s	N/A

**Associated Ancillaries**

