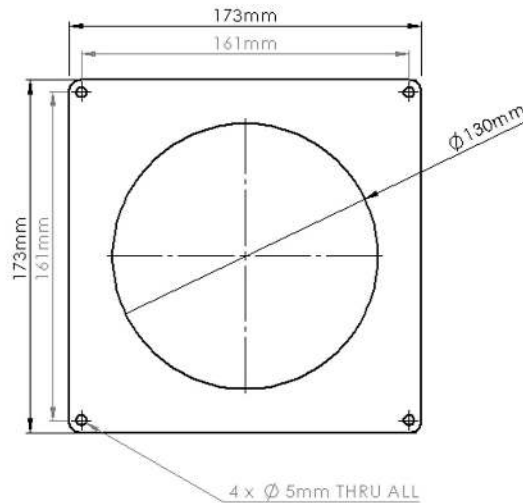




**PRODUCT DATA SHEET**

**DUCVKC618**

**ROUND WALL PLATE**



**SPECIFICATION DETAILS**

The DUCVKC618 wall plate is manufactured from (white) high impact polypropylene and be suitable for use with Kair system 125 round ducting.

The wall plate is designed for use where existing ducting connections or fans have been installed in a wall and a decorative cover or new fixing method is needed.

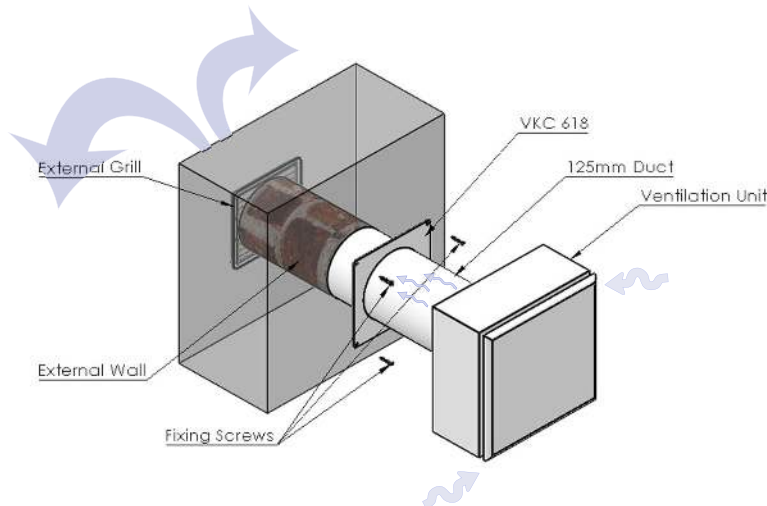
Four 5mm screw holes shall be supplied pre drilled on the plate for easy secure fixing. DUCVKC618 is manufactured in compliance with the domestic ductwork specification standard DW/154 and should meet UL94HB flammability standard.

DUCVKC618 has been designed for use with Kair System 125mm Round.

<b>Manufacturer:</b>	Kair Ventilation
<b>Part Number:</b>	DUCVKC618
<b>Size:</b>	125mm Diameter
<b>For use with:</b>	Kair System 125
<b>Box quantity:</b>	10
<b>Individual Weight:</b>	40g
<b>Colour:</b>	White

**MAX/MIN OPERATING TEMPERATURES**

+ 60°C to - 15°C



AIRFLOW	RESISTANCE
8 l/s	N/A
13 l/s	N/A
21 l/s	N/A
30 l/s	N/A
60 l/s	N/A
120 l/s	N/A

**Associated Ancillaries**

