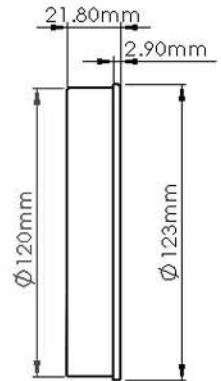
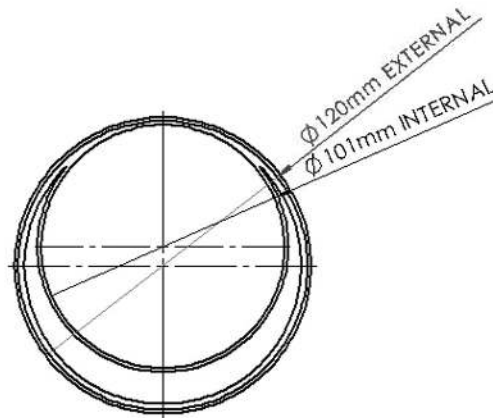




PRODUCT DATA SHEET

DUCVKC621

OFFSET REDUCER



SPECIFICATION DETAILS

The DUCVKC621 Offset Reducer is manufactured from (white) High Impact Polystyrene and has a minimum free area of 8,011mm² and a male connection for the inside of the System 125 fittings and a female connection for the System 100 fittings.

The DUCVKC621 is fully compliant with SAP Appendix Q Product Characteristics Database recommendations for duct sizes used with both extract and Mechanical Heat Recovery systems.

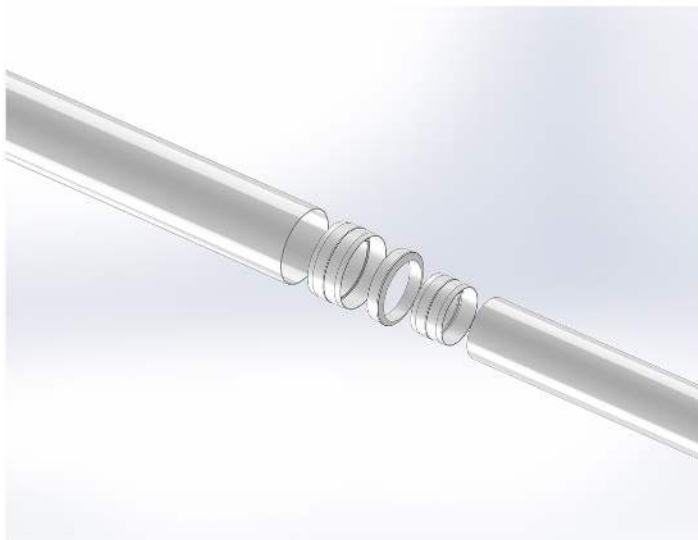
DUCVKC621 is manufactured in compliance with Domestic Plastic Ductwork Specification DW/154 and does meet UL94HB flammability standard.

DUCVKC621 has been designed for use with Kair System 125 & 100 Round.

MAX/MIN OPERATING TEMPERATURES

+ 60°C to - 15°C

Manufacturer:	Kair Ventilation
Part Number:	DUCVKC621
Size:	125 -100mm Diameter
For use with:	Kair System 125 & Kair System 100
Box quantity:	10
Individual Weight:	33g
Colour:	White



AIRFLOW	RESISTANCE
8 l/s	N/A
13 l/s	N/A
21 l/s	N/A
30 l/s	N/A
60 l/s	N/A
120 l/s	N/A

Associated Ancillaries

