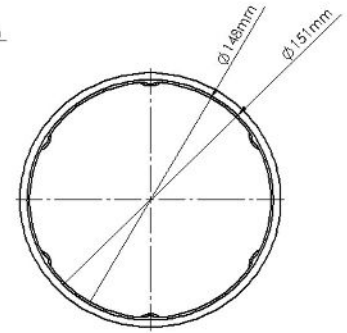
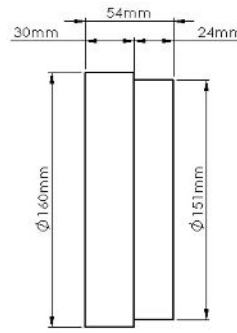
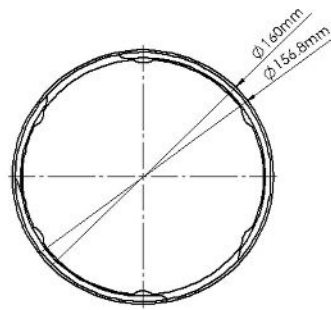




**PRODUCT DATA SHEET**

**DUCVKC659**

**THREADED HOSE CONNECTOR**



**SPECIFICATION DETAILS**

The DUCVKC659 150mm diameter Threaded Hose Connector is manufactured from (white) High Impact Polypropylene and has a minimum free area of 19,309mm<sup>2</sup> and has male fittings for connection inside of the duct.

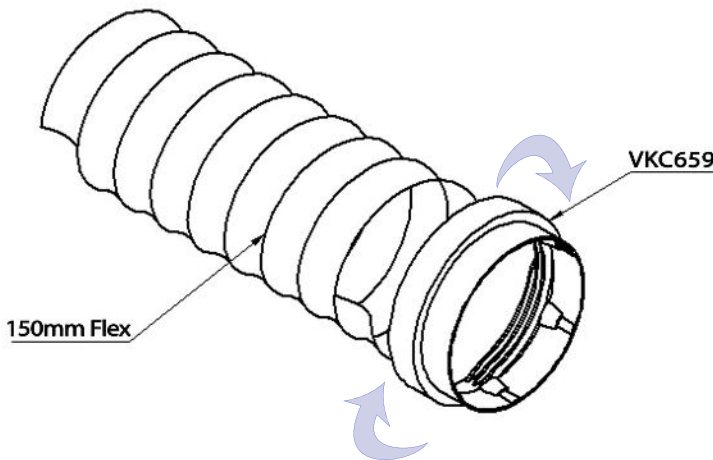
The DUCVKC659 is compliant with SAP Appendix Q Product Characteristics Database recommendations for duct sizes used with both extract and Mechanical Heat Recovery Systems.

DUCVKC659 is manufactured in compliance with Domestic Plastic Ductwork Specification DW/154 and does meet UL94HB flammability standard.

DUCVKC659 has been designed for use with Kair System 150mm Round.

<b>Manufacturer:</b>	Kair Ventilation
<b>Part Number:</b>	DUCVKC659
<b>Size:</b>	150 mm Diameter
<b>For use with:</b>	Kair System 150
<b>Box quantity:</b>	20
<b>Individual Weight:</b>	50g
<b>Colour:</b>	White

<b>MAX/MIN OPERATING TEMPERATURES</b>	+ 60°C to - 15°C
---------------------------------------	------------------



AIRFLOW	RESISTANCE
8 l/s	N/A
13 l/s	N/A
21 l/s	N/A
30 l/s	N/A
60 l/s	N/A
120 l/s	N/A

**Associated Ancillaries**

