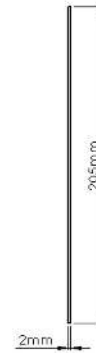
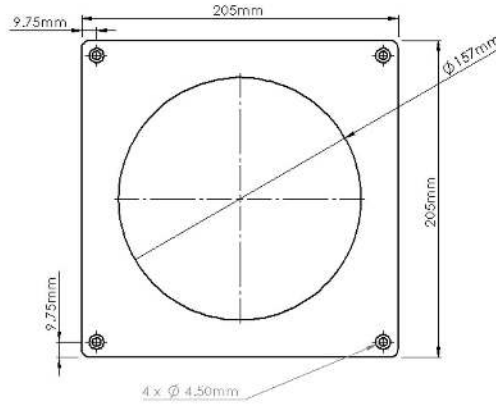




PRODUCT DATA SHEET

DUCVKC661

ROUND WALL PLATE



SPECIFICATION DETAILS

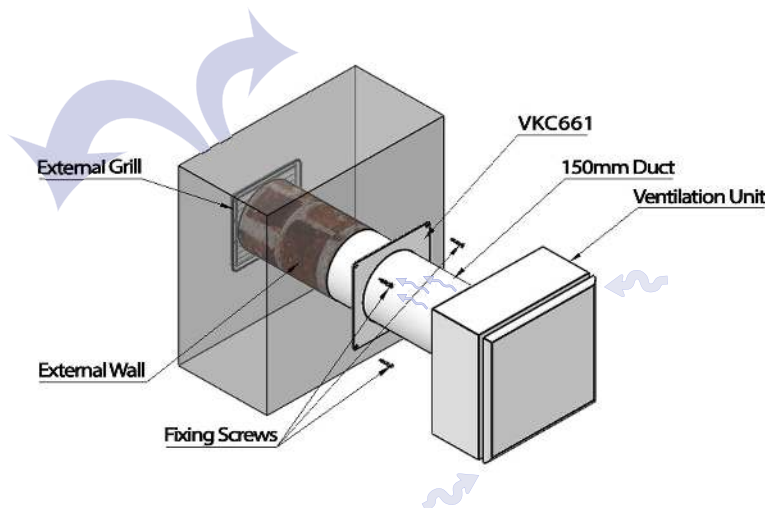
The DUCVKC661 plate is manufactured from (white) High Impact Polypropylene and be suitable for use with Kair system 150 round ducting. The wall plate is designed for use where existing ducting connections or fans have been installed in a wall and a decorative cover or new fixing method is needed.

Four 5mm screw holes is supplied pre drilled on the plate for easy secure fixing. DUCVKC661 is manufactured in compliance with the Domestic Ductwork Specification standard DW/154 and does meet UL94HB flammability standard.

DUCVKC661 has been designed for use with Kair System 150mm Round.

Manufacturer:	Kair Ventilation
Part Number:	DUCVKC661
Size:	150mm Diameter
For use with:	Kair System 150
Box quantity:	10
Individual Weight:	50g
Colour:	White

MAX/MIN OPERATING TEMPERATURES	+ 60°C to - 15°C
---------------------------------------	------------------



AIRFLOW	RESISTANCE
8 l/s	N/A
13 l/s	N/A
21 l/s	N/A
30 l/s	N/A
60 l/s	N/A
120 l/s	N/A

Associated Ancillaries

