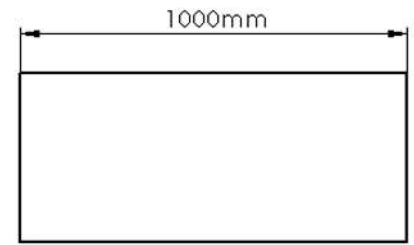
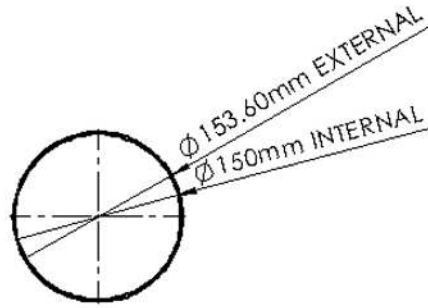




**PRODUCT DATA SHEET**

**DUCVKC670**

1 METRE ROUND PIPE



**SPECIFICATION DETAILS**

The 150mm diameter 1m Round Pipe is manufactured from Rigid PVCu. The Round Pipe has a minimum free area of 17,673mm<sup>2</sup> and fits over the male spigot of the System 150 fittings.

System 150 Round Pipe is manufactured in compliance with Domestic Plastic Ductwork Specification DW/154 and will meet UL94VO flammability standard.

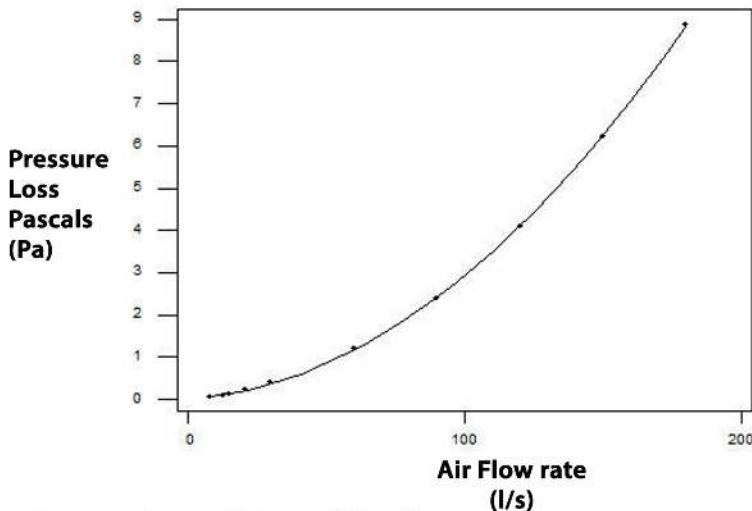
Round Pipe has been designed for use with Kair System 150 Round.

<b>Manufacturer:</b>	Kair Ventilation
<b>Part Number:</b>	DUCVKC670
<b>Size:</b>	150mm Diameter
<b>For use with:</b>	Kair System 150
<b>Box quantity:</b>	5
<b>Individual Weight:</b>	1330g
<b>Colour:</b>	White

**MAX/MIN OPERATING TEMPERATURES**

+ 60°C to - 15°C

**PERFORMANCE CURVE**



AIRFLOW	RESISTANCE
8 l/s	0.06 pa
13 l/s	0.09 pa
21 l/s	0.24 pa
30 l/s	0.40 pa
60 l/s	1.20 pa
120 l/s	4.10 pa

**Associated Ancillaries**

