



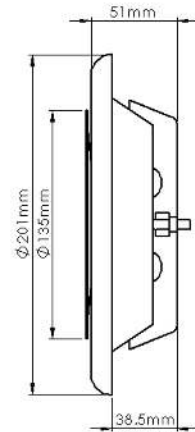
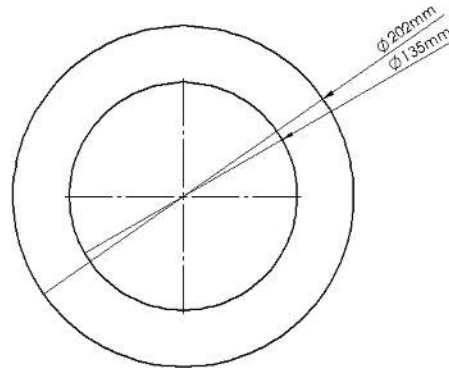
PRODUCT DATA SHEET

DUCMW155

WHITE METAL CEILING AIR SUPPLY VALVE



W RAL9010



SPECIFICATION DETAILS

The DUCMW155 150mm diameter Round White Metal Ceiling Air Extract Valve is manufactured from White Epoxy Powder Coated Steel and has minimum free area of ___mm² with Control Disc 10mm open. It has a male spigot for connection inside of the System 150 duct.

The DUCMW155 extract air valve is fully adjustable and has a locking nut to fix the position of the controlled disc upon commissioning.

The DUCMW155 is supplied complete with a fixing body with pre-drilled holes for installation.

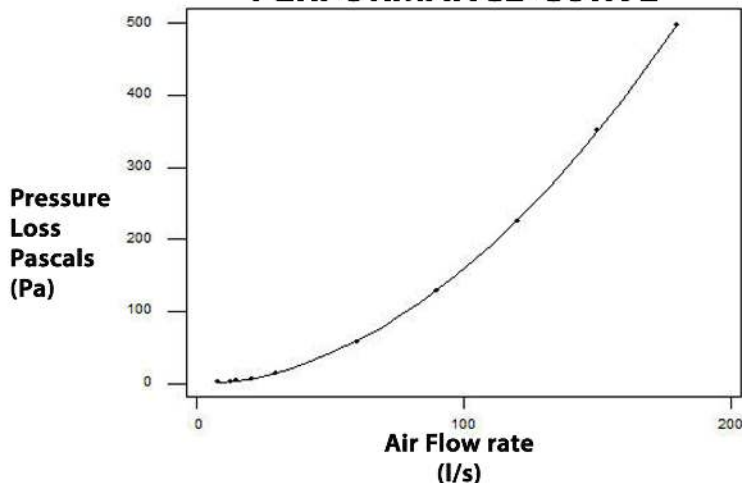
DUCMW155 has been designed for use with Kair System 150 Round.

MAX/MIN OPERATING TEMPERATURES

+ 60°C to - 15°C

Manufacturer:	Kair Ventilation
Part Number:	DUCMW155
Size:	150mm Diameter
For use with:	Kair System 150
Box quantity:	7
Individual Weight:	510g
Colour:	White

PERFORMANCE CURVE



*Pressure losses with Control Disc 10mm open

Associated Ancillaries

AIRFLOW	RESISTANCE
8 l/s	2.00 pa
13 l/s	3.00 pa
21 l/s	7.00 pa
30 l/s	14.50 pa
60 l/s	57.40 pa
120 l/s	227.00 pa

* Damper fully open

