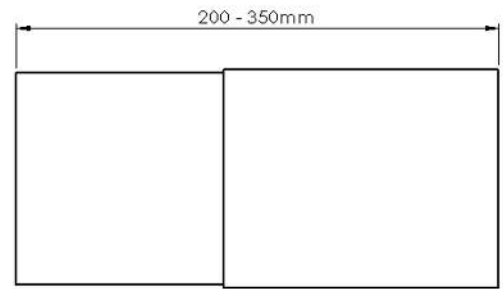
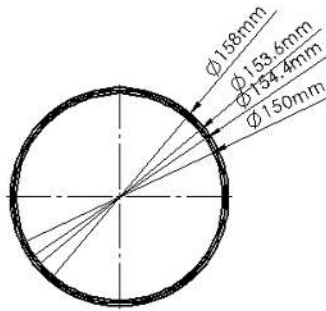




**PRODUCT DATA SHEET**

**DUCVKC367**

**TELESCOPIC PIPE 200-350MM WITH REDUCING RING**



**SPECIFICATION DETAILS**

The DUCVKC367 150mm diameter Telescopic Round Pipe is manufactured from Rigid PVCu. The round pipe has a minimum free area of 17,673mm<sup>2</sup> and fits over the male spigot of the System 150 fittings.

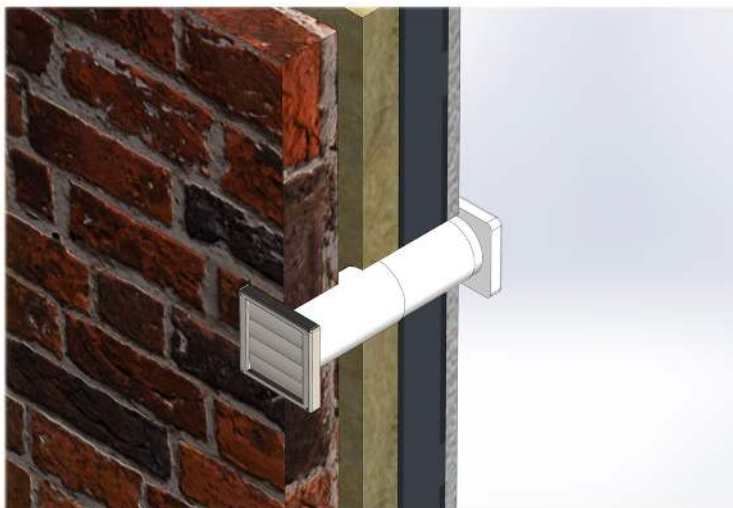
The DUCVKC367 is primarily used for individual extract fan installations. Being a telescopic pipe it can vary in length depending on the wall thickness of the installation.

The DUCVKC367 Round Pipe is manufactured in compliance with Domestic Plastic Ductwork Specification DW/154 and will meet UL94 V0 flammability standard.

DUCVKC367 Telescopic Pipe has been designed for use with Kair System 150 Round.

<b>Manufacturer:</b>	Kair Ventilation
<b>Part Number:</b>	DUCVKC367
<b>Size:</b>	150mm Diameter
<b>For use with:</b>	Kair System 150
<b>Box quantity:</b>	16
<b>Individual Weight:</b>	457g
<b>Colour:</b>	White

<b>MAX/MIN OPERATING TEMPERATURES</b>	+ 60°C to - 15°C
---------------------------------------	------------------



AIRFLOW	RESISTANCE
8 l/s	N/A
13 l/s	N/A
21 l/s	N/A
30 l/s	N/A
60 l/s	N/A
120 l/s	N/A

**Associated Ancillaries**

