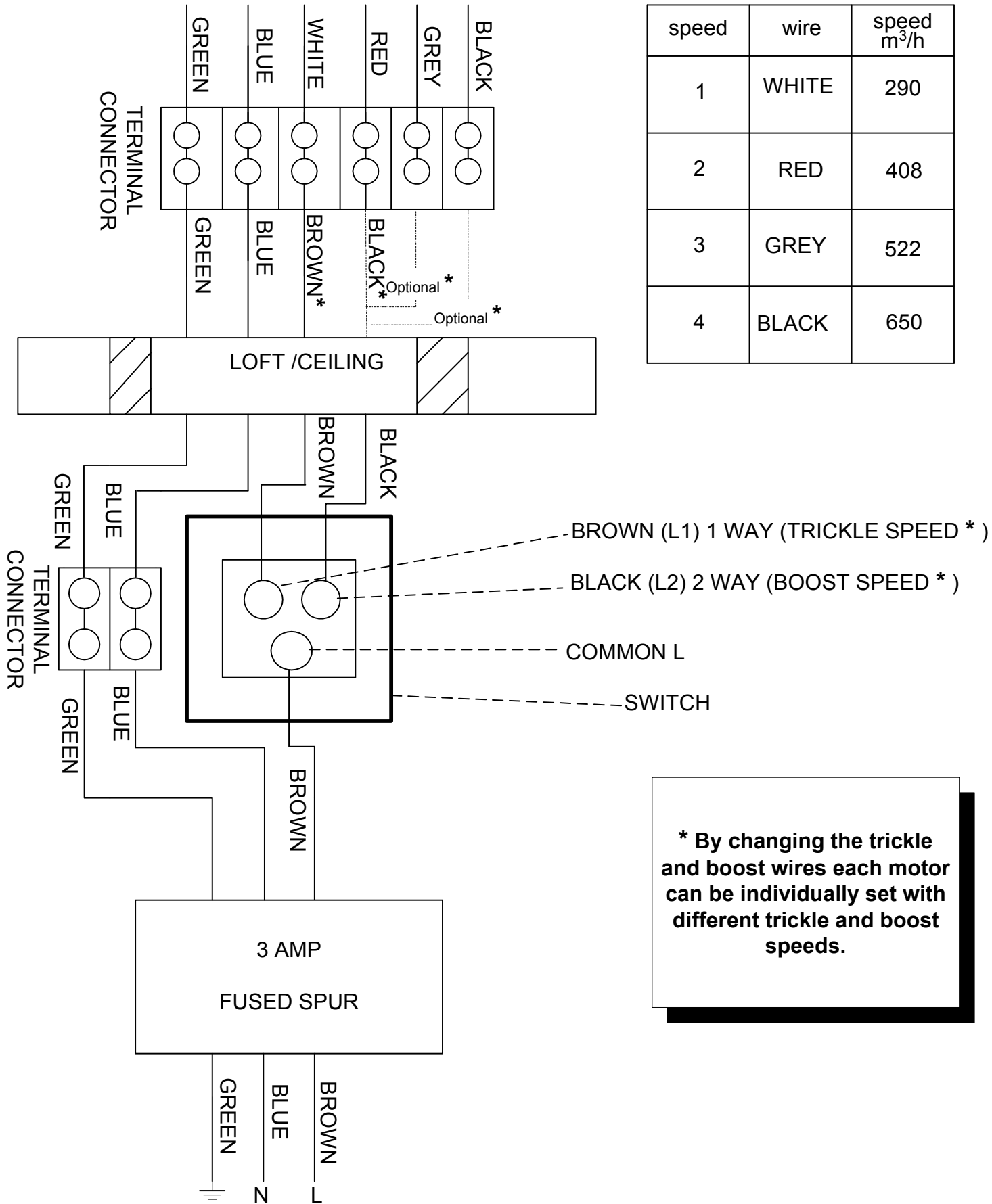


# KAIR KHRVWH2000

## wiring diagram using KSC2 Two speed switch

Version 1.2



**\* By changing the trickle and boost wires each motor can be individually set with different trickle and boost speeds.**